

## Luminaire Property

Luminaire: RH-PL6060 48W 4000K

Report NO.:

Voltage: 220.5 V

Test NO.:

Current: 0.216 A

Lamp:

Power: 47.0 W

Sum Lumens: 5048.77 lm

Power Factor: 0.988

Number of Lamps: 1

Ballast Type: 1200mA

Diameter: mm

Width: 595mm

Length: 595mm

Height: mm

Photometric Type: Type C

Remark:

## Photometric Results

Lumens: 5048.77 lm

Angle of maximum intensity: C:135.0 G:2.0

Effective luminous flux: 4971.6 lm

Half Peak Side Angle(50%): Left: -55.9 Right:56.2

Efficiency: 107.4206 lm/W

Light Out Rate(LOR) : 100.00%

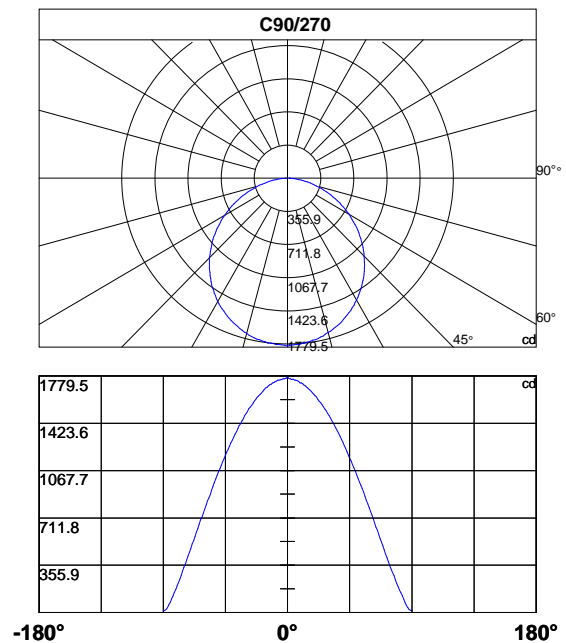
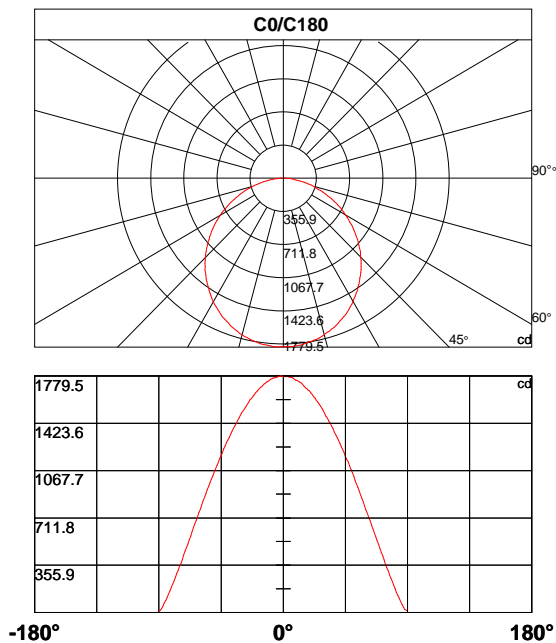
Central Intensity: 1771.878cd

Up Flux Rate: 0.0%

Maximum Intensity: 1779.472cd

Down Flux Rate: 100.0%

Beam Angle(10%): Left: -81.1 Right:81.4



### Photometric Data Table [cd]

C\G	0.0	1.0	2.0	3.0	4.0	5.0	6.0	7.0	8.0	9.0
0.0	1771.9	1775.9	1774.2	1774.7	1772.3	1770.6	1769.4	1763.7	1755.3	1748.5
45.0	1771.9	1760.0	1757.2	1753.6	1756.5	1749.3	1747.8	1743.3	1738.0	1727.7
90.0	1771.9	1760.0	1757.2	1753.6	1756.5	1749.3	1747.8	1743.3	1738.0	1727.7
135.0	1771.9	1779.3	1779.5	1778.3	1773.0	1770.6	1766.5	1766.3	1759.6	1755.5
180.0	1771.9	1779.3	1779.5	1778.3	1773.0	1770.6	1766.5	1766.3	1759.6	1755.5
225.0	1771.9	1762.0	1758.4	1757.2	1756.5	1751.5	1748.3	1749.1	1740.9	1736.3
270.0	1771.9	1762.0	1758.4	1757.2	1756.5	1751.5	1748.3	1749.1	1740.9	1736.3
315.0	1771.9	1775.9	1774.2	1774.7	1772.3	1770.6	1769.4	1763.7	1755.3	1748.5
360.0	1771.9	1775.9	1774.2	1774.7	1772.3	1770.6	1769.4	1763.7	1755.3	1748.5

C\G	10.0	11.0	12.0	13.0	14.0	15.0	16.0	17.0	18.0	19.0
0.0	1746.9	1738.3	1735.4	1726.3	1716.9	1706.4	1692.2	1687.2	1674.5	1667.1
45.0	1727.0	1720.0	1710.5	1705.4	1694.4	1683.1	1676.4	1665.4	1651.5	1643.1
90.0	1727.0	1720.0	1710.5	1705.4	1694.4	1683.1	1676.4	1665.4	1651.5	1643.1
135.0	1745.0	1740.2	1733.5	1724.1	1717.9	1706.1	1699.4	1685.0	1675.9	1663.5
180.0	1745.0	1740.2	1733.5	1724.1	1717.9	1706.1	1699.4	1685.0	1675.9	1663.5
225.0	1729.9	1727.2	1718.6	1711.9	1706.1	1692.7	1687.9	1675.7	1664.9	1651.0
270.0	1729.9	1727.2	1718.6	1711.9	1706.1	1692.7	1687.9	1675.7	1664.9	1651.0
315.0	1746.9	1738.3	1735.4	1726.3	1716.9	1706.4	1692.2	1687.2	1674.5	1667.1
360.0	1746.9	1738.3	1735.4	1726.3	1716.9	1706.4	1692.2	1687.2	1674.5	1667.1

C\G	20.0	21.0	22.0	23.0	24.0	25.0	26.0	27.0	28.0	29.0
0.0	1653.4	1638.1	1622.5	1612.9	1597.8	1584.1	1567.8	1552.2	1535.0	1518.2
45.0	1631.1	1621.0	1602.6	1588.2	1576.5	1562.3	1548.2	1530.7	1517.5	1498.1
90.0	1631.1	1621.0	1602.6	1588.2	1576.5	1562.3	1548.2	1530.7	1517.5	1498.1
135.0	1652.9	1636.6	1625.8	1611.4	1600.6	1584.1	1568.1	1549.1	1535.0	1519.9
180.0	1652.9	1636.6	1625.8	1611.4	1600.6	1584.1	1568.1	1549.1	1535.0	1519.9
225.0	1640.9	1628.7	1619.9	1603.8	1590.6	1574.1	1558.5	1546.5	1535.0	1513.6
270.0	1640.9	1628.7	1619.9	1603.8	1590.6	1574.1	1558.5	1546.5	1535.0	1513.6
315.0	1653.4	1638.1	1622.5	1612.9	1597.8	1584.1	1567.8	1552.2	1535.0	1518.2
360.0	1653.4	1638.1	1622.5	1612.9	1597.8	1584.1	1567.8	1552.2	1535.0	1518.2

C\G	30.0	31.0	32.0	33.0	34.0	35.0	36.0	37.0	38.0	39.0
0.0	1499.8	1477.7	1462.8	1440.3	1427.4	1401.5	1384.4	1358.6	1336.8	1318.6
45.0	1480.1	1463.8	1444.9	1425.0	1407.0	1386.9	1365.1	1345.4	1326.5	1301.1
90.0	1480.1	1463.8	1444.9	1425.0	1407.0	1386.9	1365.1	1345.4	1326.5	1301.1
135.0	1503.8	1485.2	1464.0	1446.1	1421.4	1402.0	1385.4	1364.6	1344.7	1318.1
180.0	1503.8	1485.2	1464.0	1446.1	1421.4	1402.0	1385.4	1364.6	1344.7	1318.1
225.0	1499.5	1481.5	1457.8	1442.7	1419.7	1406.7	1386.4	1362.2	1340.4	1320.7
270.0	1499.5	1481.5	1457.8	1442.7	1419.7	1406.7	1386.4	1362.2	1340.4	1320.7
315.0	1499.8	1477.7	1462.8	1440.3	1427.4	1401.5	1384.4	1358.6	1336.8	1318.6
360.0	1499.8	1477.7	1462.8	1440.3	1427.4	1401.5	1384.4	1358.6	1336.8	1318.6

### Photometric Data Table [cd]

C\G	40.0	41.0	42.0	43.0	44.0	45.0	46.0	47.0	48.0	49.0
0.0	1297.2	1272.5	1248.1	1227.0	1201.6	1174.0	1152.2	1131.1	1104.0	1078.4
45.0	1281.6	1256.2	1237.8	1210.2	1184.8	1161.1	1139.7	1111.9	1091.3	1063.3
90.0	1281.6	1256.2	1237.8	1210.2	1184.8	1161.1	1139.7	1111.9	1091.3	1063.3
135.0	1298.2	1280.2	1252.9	1232.3	1205.4	1179.5	1157.7	1130.4	1108.6	1079.6
180.0	1298.2	1280.2	1252.9	1232.3	1205.4	1179.5	1157.7	1130.4	1108.6	1079.6
225.0	1297.2	1275.7	1251.9	1231.8	1207.6	1183.6	1158.2	1130.9	1105.5	1082.2
270.0	1297.2	1275.7	1251.9	1231.8	1207.6	1183.6	1158.2	1130.9	1105.5	1082.2
315.0	1297.2	1272.5	1248.1	1227.0	1201.6	1174.0	1152.2	1131.1	1104.0	1078.4
360.0	1297.2	1272.5	1248.1	1227.0	1201.6	1174.0	1152.2	1131.1	1104.0	1078.4

C\G	50.0	51.0	52.0	53.0	54.0	55.0	56.0	57.0	58.0	59.0
0.0	1050.1	1026.8	995.2	968.8	941.7	915.6	887.1	854.5	829.4	800.1
45.0	1036.4	1011.5	981.0	959.3	934.6	906.0	874.1	844.9	816.2	790.5
90.0	1036.4	1011.5	981.0	959.3	934.6	906.0	874.1	844.9	816.2	790.5
135.0	1057.3	1027.1	1002.4	977.9	950.6	922.1	894.5	866.7	837.5	808.5
180.0	1057.3	1027.1	1002.4	977.9	950.6	922.1	894.5	866.7	837.5	808.5
225.0	1057.1	1030.2	1006.2	973.9	948.0	922.1	889.3	861.0	840.4	810.1
270.0	1057.1	1030.2	1006.2	973.9	948.0	922.1	889.3	861.0	840.4	810.1
315.0	1050.1	1026.8	995.2	968.8	941.7	915.6	887.1	854.5	829.4	800.1
360.0	1050.1	1026.8	995.2	968.8	941.7	915.6	887.1	854.5	829.4	800.1

C\G	60.0	61.0	62.0	63.0	64.0	65.0	66.0	67.0	68.0	69.0
0.0	771.3	744.0	711.9	685.5	656.5	628.0	595.4	568.5	538.6	510.0
45.0	764.4	732.3	706.2	675.4	642.4	619.3	587.7	557.7	526.9	501.2
90.0	764.4	732.3	706.2	675.4	642.4	619.3	587.7	557.7	526.9	501.2
135.0	778.7	752.6	719.5	693.9	664.6	636.6	608.8	576.0	546.0	515.8
180.0	778.7	752.6	719.5	693.9	664.6	636.6	608.8	576.0	546.0	515.8
225.0	775.9	747.1	717.4	695.1	664.9	634.2	602.3	572.2	541.7	515.3
270.0	775.9	747.1	717.4	695.1	664.9	634.2	602.3	572.2	541.7	515.3
315.0	771.3	744.0	711.9	685.5	656.5	628.0	595.4	568.5	538.6	510.0
360.0	771.3	744.0	711.9	685.5	656.5	628.0	595.4	568.5	538.6	510.0

C\G	70.0	71.0	72.0	73.0	74.0	75.0	76.0	77.0	78.0	79.0
0.0	479.9	453.3	423.3	394.3	362.2	338.2	312.3	281.9	256.5	230.1
45.0	472.0	441.7	411.5	383.0	354.7	325.2	300.8	277.3	246.7	219.3
90.0	472.0	441.7	411.5	383.0	354.7	325.2	300.8	277.3	246.7	219.3
135.0	491.4	461.2	435.5	402.4	374.2	347.8	320.2	293.1	265.8	238.5
180.0	491.4	461.2	435.5	402.4	374.2	347.8	320.2	293.1	265.8	238.5
225.0	482.0	455.2	423.0	394.3	362.7	339.7	311.1	279.9	251.2	224.1
270.0	482.0	455.2	423.0	394.3	362.7	339.7	311.1	279.9	251.2	224.1
315.0	479.9	453.3	423.3	394.3	362.2	338.2	312.3	281.9	256.5	230.1
360.0	479.9	453.3	423.3	394.3	362.2	338.2	312.3	281.9	256.5	230.1

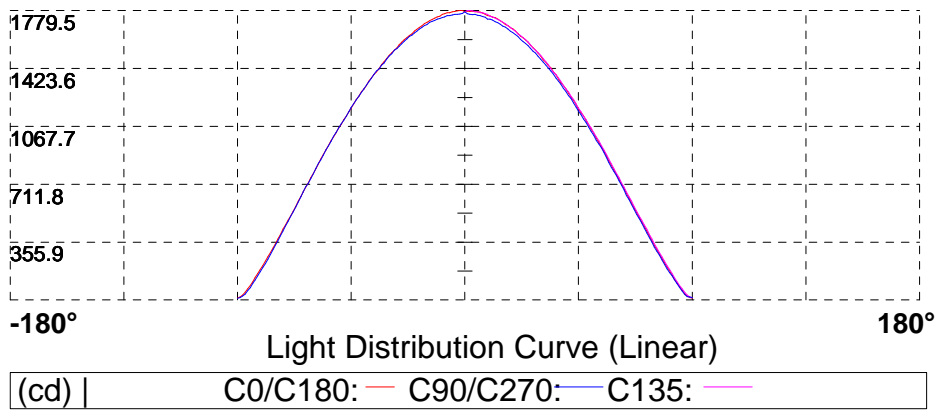
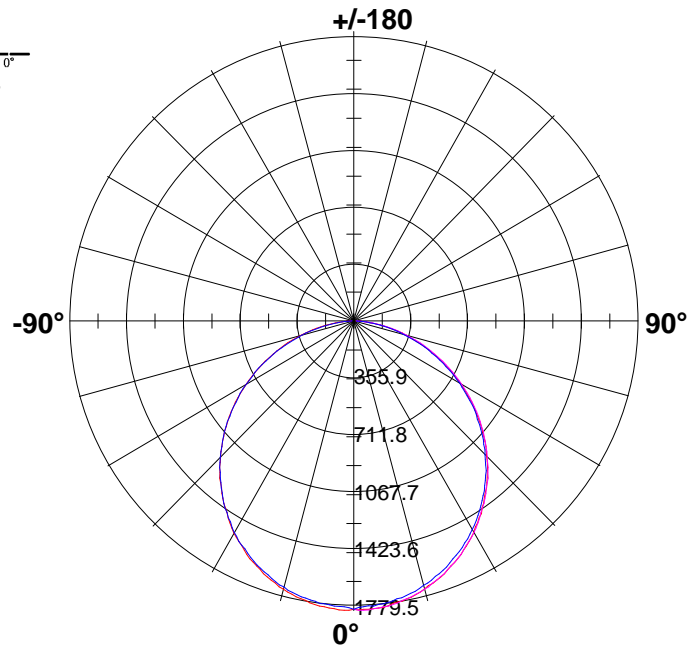
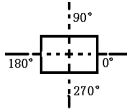
### Photometric Data Table [cd]

C\G	80.0	81.0	82.0	83.0	84.0	85.0	86.0	87.0	88.0	89.0
0.0	204.2	180.7	152.4	127.3	106.6	82.7	58.9	39.8	24.9	15.3
45.0	192.0	168.2	149.6	125.6	100.7	77.2	55.6	34.8	21.6	18.1
90.0	192.0	168.2	149.6	125.6	100.7	77.2	55.6	34.8	21.6	18.1
135.0	211.6	188.6	163.5	138.5	114.1	90.6	70.4	48.0	31.4	18.2
180.0	211.6	188.6	163.5	138.5	114.1	90.6	70.4	48.0	31.4	18.2
225.0	199.9	174.5	148.9	123.5	103.1	76.0	58.0	36.9	24.0	14.9
270.0	199.9	174.5	148.9	123.5	103.1	76.0	58.0	36.9	24.0	14.9
315.0	204.2	180.7	152.4	127.3	106.6	82.7	58.9	39.8	24.9	15.3
360.0	204.2	180.7	152.4	127.3	106.6	82.7	58.9	39.8	24.9	15.3

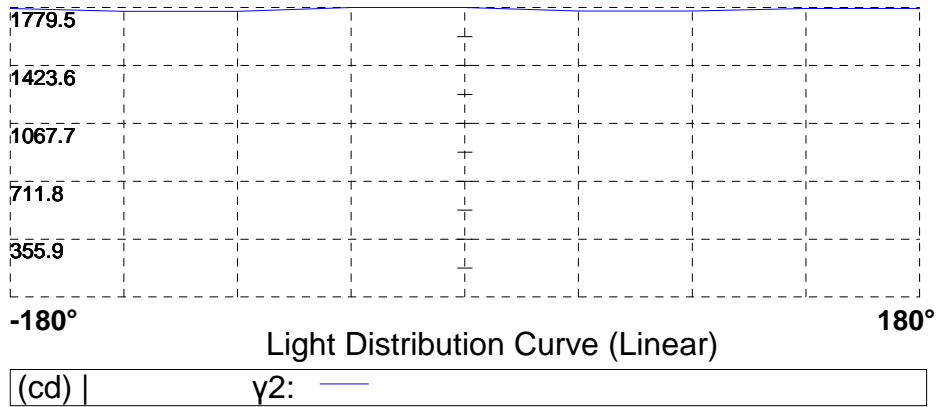
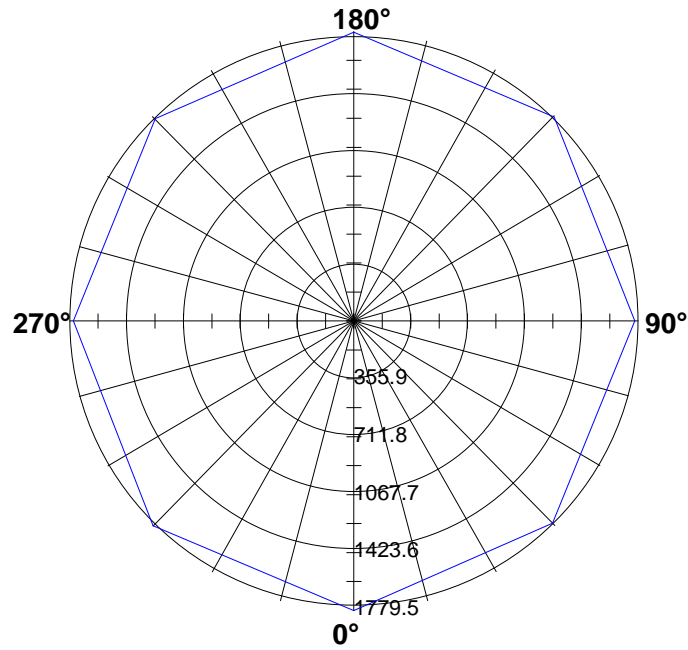
C\G	90.0
0.0	13.2
45.0	14.6
90.0	14.6
135.0	13.2
180.0	13.2
225.0	11.2
270.0	11.2
315.0	13.2
360.0	13.2

### Light Distribution Curve [Unit: cd]

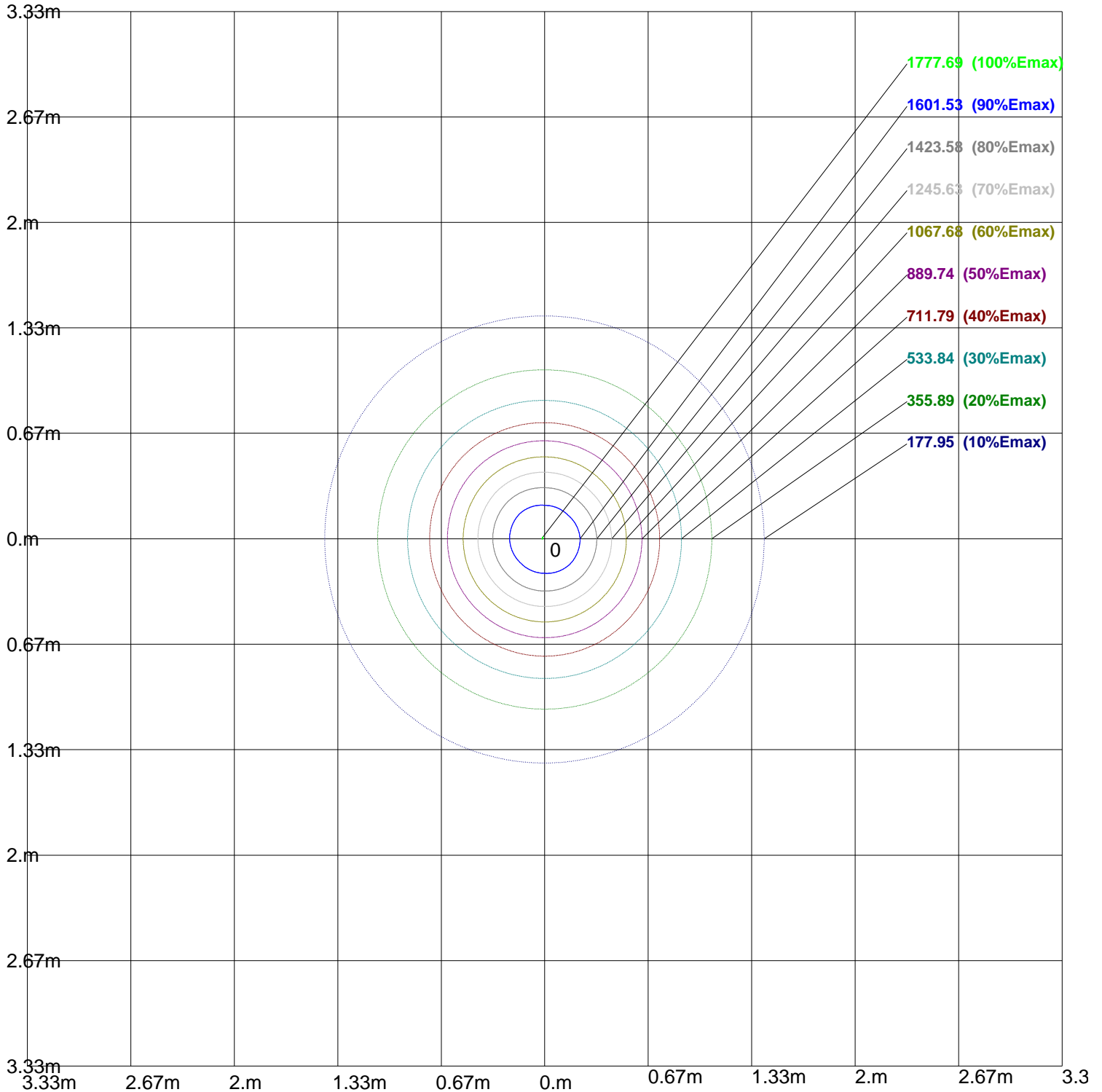
Luminaire



### Max Plane Light Distribution Curve [Unit: cd]



### Iso-Lux[lx]



Height: 1 m  
Max Illuminance : 1779.47lx

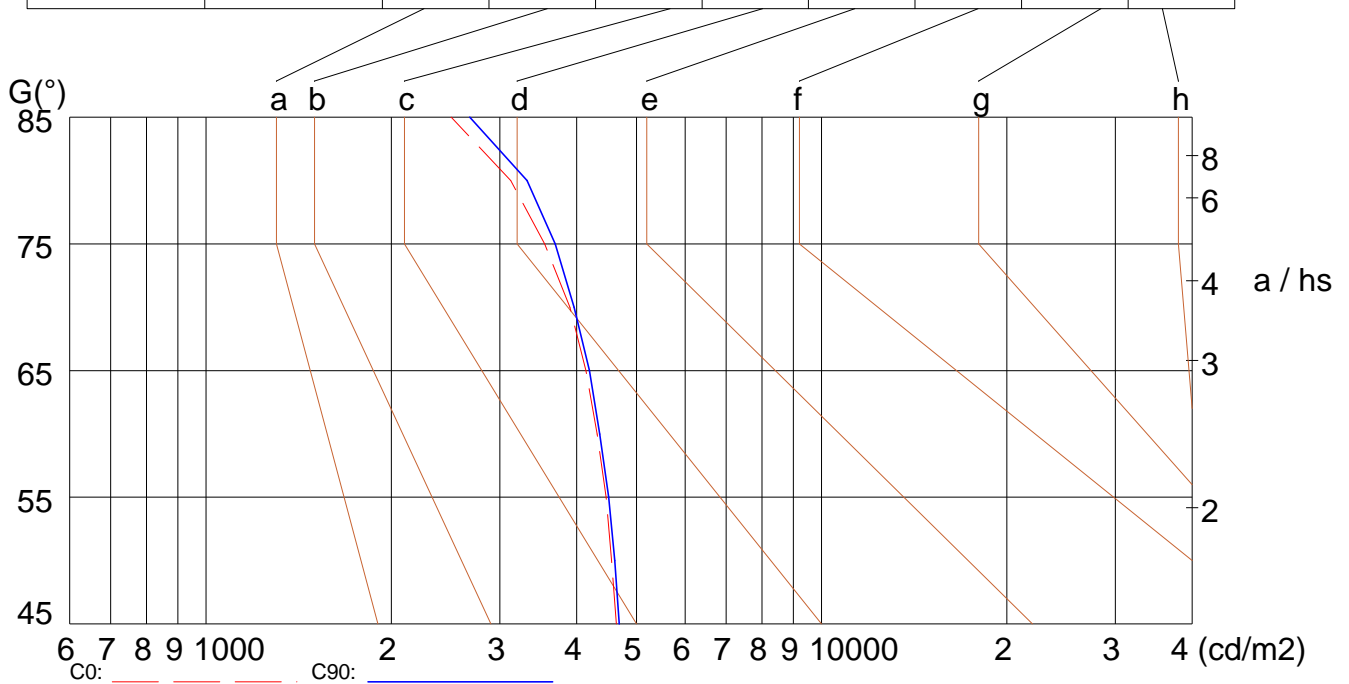
## Luminance Limiting Curve

Diameter: mm  
Length: 595mm  
Width: 595mm  
Height: mm

(cd/m<sup>2</sup>)

$\gamma$	45°	50°	55°	60°	65°	70°	75°	80°	85°
C0	4639	4555	4462	4319	4140	3898	3550	3124	2502
C90	4690	4615	4509	4358	4198	3964	3692	3322	2681

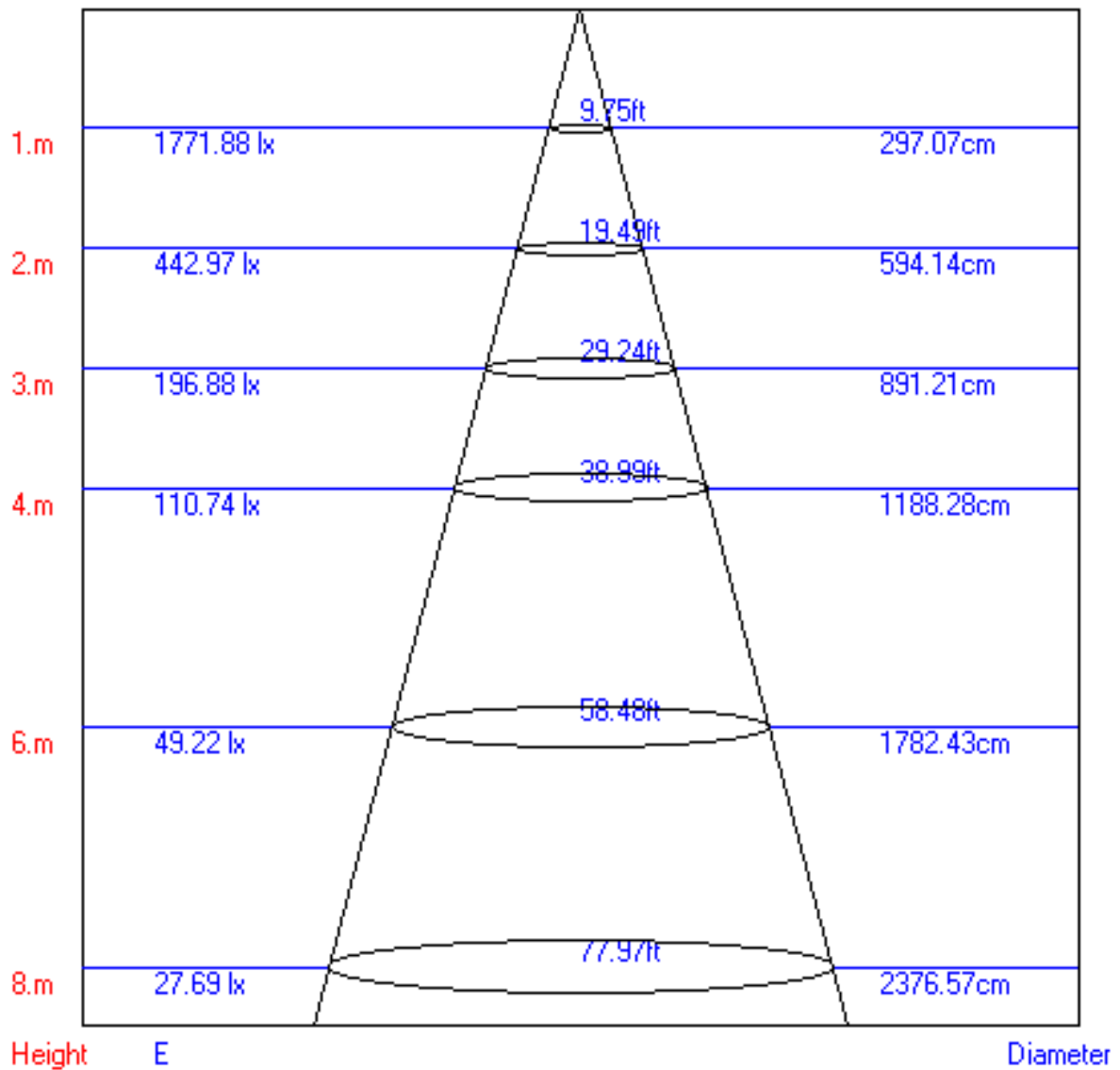
Glare	Quality	Service Values Illuminance (lx)							
1.15	A	2000	1000	500	≤300				
1.5	B		2000	1000	500	≤300			
1.85	C			2000	1000	500	≤300		
2.2	D				2000	1000	500	≤300	
2.55	E					2000	1000	500	≤300



Lum. Limiting Curve (C0/C90)



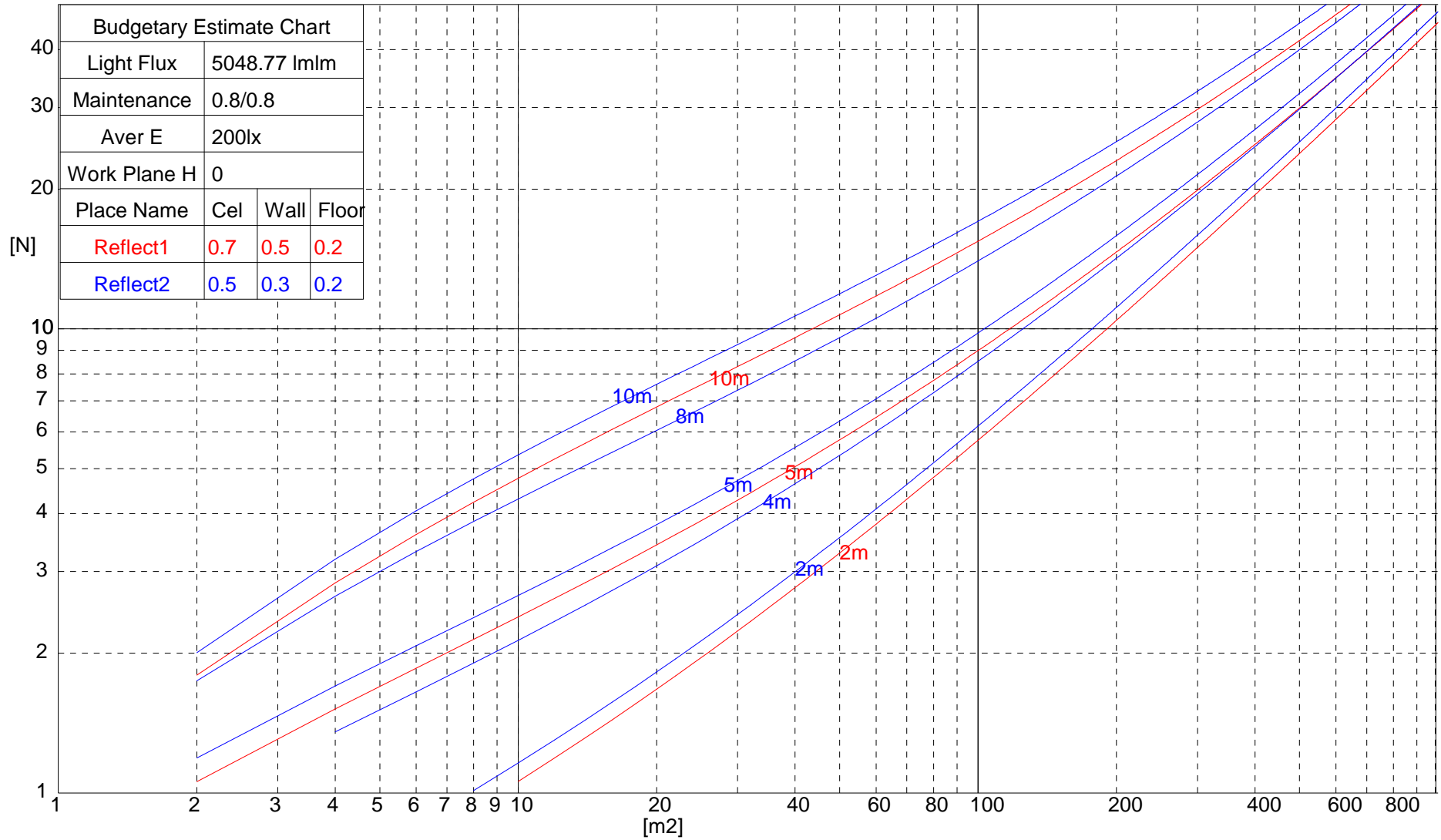
### Lux-Distance Curve



Beam Angle:112.10°

Utilization Coefficient Table

RHOCC	80			70			50			30			10			0
RHOW	50	30	10	50	30	10	50	30	10	50	30	10	50	30	10	0
RCR	COEFFICIENTS OF UTILIZATION FOR RHOFC=20															
0	1.19	1.19	1.19	1.16	1.16	1.16	1.11	1.11	1.11	1.06	1.06	1.06	1.02	1.02	1.02	1.00
1	1.04	1.02	1.01	1.03	1.01	0.99	0.99	0.97	0.95	0.94	0.92	0.90	0.88	0.86	0.83	0.78
2	0.88	0.86	0.84	0.88	0.85	0.82	0.85	0.82	0.79	0.82	0.78	0.75	0.78	0.74	0.70	0.65
3	0.75	0.72	0.70	0.75	0.72	0.69	0.74	0.70	0.66	0.72	0.67	0.63	0.69	0.64	0.59	0.55
4	0.65	0.62	0.60	0.65	0.62	0.59	0.65	0.60	0.56	0.64	0.58	0.54	0.62	0.56	0.51	0.47
5	0.57	0.54	0.52	0.57	0.53	0.51	0.58	0.53	0.49	0.57	0.51	0.47	0.56	0.49	0.44	0.40
6	0.50	0.47	0.45	0.51	0.47	0.44	0.51	0.46	0.43	0.51	0.45	0.41	0.51	0.44	0.39	0.35
7	0.44	0.42	0.40	0.45	0.42	0.39	0.46	0.41	0.38	0.47	0.41	0.36	0.46	0.40	0.34	0.31
8	0.40	0.37	0.36	0.41	0.37	0.35	0.42	0.37	0.34	0.43	0.37	0.32	0.43	0.36	0.31	0.28
9	0.36	0.34	0.32	0.37	0.34	0.32	0.38	0.34	0.30	0.39	0.33	0.29	0.40	0.33	0.28	0.25
10	0.33	0.30	0.29	0.34	0.31	0.29	0.35	0.31	0.28	0.36	0.30	0.26	0.37	0.30	0.25	0.23



## UGR Glare Index

Ceiling	70	70	50	50	30	70	70	50	50	30	
Wall	50	30	50	30	30	50	30	50	30	30	
Floor	20	20	20	20	20	20	20	20	20	20	
Room Size X      Y	Weft to light axis direction of observation					Direction of light axis parallel observation					
2H	2H	14.8	15.9	15.1	15.9	16.3	14.7	15.9	14.9	15.9	16.3
	3H	16.2	17.4	16.7	17.7	18.0	16.2	17.4	16.5	17.9	18.0
	4H	16.9	18.1	17.4	18.6	18.7	17.0	18.0	17.3	18.6	18.8
	6H	17.5	18.5	18.0	18.9	19.0	17.3	18.3	17.8	18.8	19.1
	8H	17.9	18.9	18.2	18.9	19.3	17.8	18.7	18.0	19.0	19.3
4H	12H	18.0	18.8	18.2	19.3	19.5	17.8	18.6	18.0	19.2	19.5
	2H	15.6	16.6	15.9	16.9	17.1	15.6	16.6	15.8	16.8	17.0
	3H	17.5	18.4	17.8	18.3	18.7	17.3	18.2	17.5	18.4	18.8
	4H	18.2	19.0	18.5	19.1	19.5	18.0	18.9	18.4	19.2	19.5
	6H	18.8	19.5	19.2	19.8	20.1	18.8	19.4	19.0	19.7	20.1
8H	8H	19.0	19.8	19.5	19.9	20.4	19.0	19.6	19.2	19.9	20.3
	12H	19.3	19.9	19.7	20.2	20.4	19.2	19.7	19.6	20.2	20.5
	4H	18.6	19.2	18.8	19.4	19.9	18.4	19.0	18.8	19.4	19.8
	6H	19.4	19.8	19.7	20.2	20.7	19.2	19.9	19.7	20.2	20.6
	8H	19.8	20.2	20.1	20.5	20.9	19.6	20.0	20.0	20.5	20.9
12H	12H	19.9	20.5	20.4	20.7	21.3	19.9	20.4	20.2	20.7	21.1
	4H	18.6	19.1	18.9	19.5	19.9	18.4	19.0	18.8	19.6	19.9
	6H	19.6	20.0	19.9	20.2	20.6	19.3	19.8	19.8	20.2	20.7
	8H	19.9	20.4	20.3	20.7	21.1	19.9	20.3	20.2	20.6	21.1