

Luminaire Property

Luminaire: RH-CL3181 39W 4000K

Report NO.:

Test NO.:

Lamp:

Sum Lumens: 3354.47 lm

Number of Lamps: 1

Diameter: 165mm

Length: mm

Photometric Type: Type C

Voltage: 220.5 V

Current: 0.182 A

Power: 39.1 W

Power Factor: 0.976

Ballast Type:

Width: 165mm

Height: 160mm

Remark:

Photometric Results

Lumens: 3354.47 lm

Efficiency: 85.7921 lm/W

Central Intensity: 7139.416cd

Maximum Intensity: 7205.461cd

Angle of maximum intensity: C:0.0 G:1.0

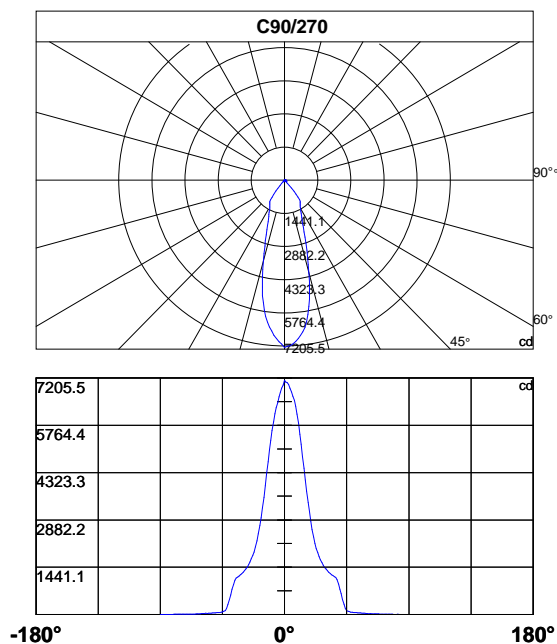
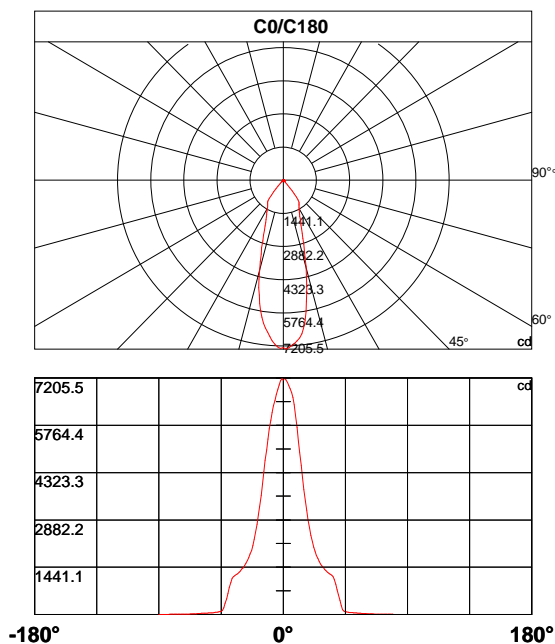
Half Peak Side Angle(50%): Left: -17.1 Right:14.6

Light Out Rate(LOR) : 100.00%

Up Flux Rate: 0.0%

Down Flux Rate: 100.0%

Beam Angle(10%): Left: -40.6 Right:38.2



Photometric Data Table [cd]

C\G	0.0	1.0	2.0	3.0	4.0	5.0	6.0	7.0	8.0	9.0
0.0	7139.4	7205.5	7149.8	7072.8	6978.1	6886.7	6763.7	6610.1	6382.7	6071.1
45.0	7139.4	7080.0	7063.9	7005.8	6900.9	6777.3	6655.0	6521.8	6341.1	6105.7
90.0	7139.4	7080.0	7063.9	7005.8	6900.9	6777.3	6655.0	6521.8	6341.1	6105.7
135.0	7139.4	7182.9	7116.0	6999.1	6866.5	6696.4	6522.9	6356.1	6157.8	5920.9
180.0	7139.4	7182.9	7116.0	6999.1	6866.5	6696.4	6522.9	6356.1	6157.8	5920.9
225.0	7139.4	6995.1	6894.0	6771.7	6629.8	6456.5	6296.9	6110.0	5877.9	5608.1
270.0	7139.4	6995.1	6894.0	6771.7	6629.8	6456.5	6296.9	6110.0	5877.9	5608.1
315.0	7139.4	7205.5	7149.8	7072.8	6978.1	6886.7	6763.7	6610.1	6382.7	6071.1
360.0	7139.4	7205.5	7149.8	7072.8	6978.1	6886.7	6763.7	6610.1	6382.7	6071.1

C\G	10.0	11.0	12.0	13.0	14.0	15.0	16.0	17.0	18.0	19.0
0.0	5696.4	5285.5	4933.6	4544.6	4165.7	3797.2	3454.5	3178.6	2888.4	2632.0
45.0	5824.0	5491.4	5184.6	4816.7	4459.9	4098.6	3748.9	3410.7	3137.7	2848.4
90.0	5824.0	5491.4	5184.6	4816.7	4459.9	4098.6	3748.9	3410.7	3137.7	2848.4
135.0	5655.9	5348.1	5011.2	4705.6	4345.2	3978.5	3622.6	3295.8	3031.5	2748.5
180.0	5655.9	5348.1	5011.2	4705.6	4345.2	3978.5	3622.6	3295.8	3031.5	2748.5
225.0	5303.8	5014.5	4658.6	4294.4	3925.5	3572.3	3247.0	2943.6	2708.7	2461.9
270.0	5303.8	5014.5	4658.6	4294.4	3925.5	3572.3	3247.0	2943.6	2708.7	2461.9
315.0	5696.4	5285.5	4933.6	4544.6	4165.7	3797.2	3454.5	3178.6	2888.4	2632.0
360.0	5696.4	5285.5	4933.6	4544.6	4165.7	3797.2	3454.5	3178.6	2888.4	2632.0

C\G	20.0	21.0	22.0	23.0	24.0	25.0	26.0	27.0	28.0	29.0
0.0	2407.8	2218.2	2051.6	1933.1	1809.1	1703.8	1619.0	1543.7	1476.0	1428.1
45.0	2589.1	2363.8	2165.7	2005.1	1885.6	1766.8	1668.2	1581.3	1504.4	1438.6
90.0	2589.1	2363.8	2165.7	2005.1	1885.6	1766.8	1668.2	1581.3	1504.4	1438.6
135.0	2496.5	2287.1	2104.4	1951.5	1843.1	1737.6	1645.4	1564.7	1492.7	1427.2
180.0	2496.5	2287.1	2104.4	1951.5	1843.1	1737.6	1645.4	1564.7	1492.7	1427.2
225.0	2245.2	2059.5	1906.8	1801.5	1693.7	1602.1	1518.9	1445.8	1383.6	1338.7
270.0	2245.2	2059.5	1906.8	1801.5	1693.7	1602.1	1518.9	1445.8	1383.6	1338.7
315.0	2407.8	2218.2	2051.6	1933.1	1809.1	1703.8	1619.0	1543.7	1476.0	1428.1
360.0	2407.8	2218.2	2051.6	1933.1	1809.1	1703.8	1619.0	1543.7	1476.0	1428.1

C\G	30.0	31.0	32.0	33.0	34.0	35.0	36.0	37.0	38.0	39.0
0.0	1376.3	1331.5	1289.5	1255.8	1225.8	1198.7	1159.2	1067.5	918.4	756.3
45.0	1385.0	1333.3	1290.2	1247.2	1210.6	1186.2	1154.2	1127.2	1059.5	930.9
90.0	1385.0	1333.3	1290.2	1247.2	1210.6	1186.2	1154.2	1127.2	1059.5	930.9
135.0	1381.6	1327.8	1284.4	1243.7	1212.4	1181.5	1150.9	1098.2	978.5	819.3
180.0	1381.6	1327.8	1284.4	1243.7	1212.4	1181.5	1150.9	1098.2	978.5	819.3
225.0	1285.5	1243.0	1205.0	1172.8	1139.7	1107.5	1047.6	916.6	766.8	595.4
270.0	1285.5	1243.0	1205.0	1172.8	1139.7	1107.5	1047.6	916.6	766.8	595.4
315.0	1376.3	1331.5	1289.5	1255.8	1225.8	1198.7	1159.2	1067.5	918.4	756.3
360.0	1376.3	1331.5	1289.5	1255.8	1225.8	1198.7	1159.2	1067.5	918.4	756.3

Photometric Data Table [cd]

C\G	40.0	41.0	42.0	43.0	44.0	45.0	46.0	47.0	48.0	49.0
0.0	606.8	428.4	273.2	151.1	101.5	88.1	75.6	61.9	57.3	53.9
45.0	772.6	628.9	463.4	305.8	179.7	120.7	99.7	84.5	71.5	65.7
90.0	772.6	628.9	463.4	305.8	179.7	120.7	99.7	84.5	71.5	65.7
135.0	644.6	476.2	342.9	207.5	126.8	101.9	85.4	74.0	65.7	64.0
180.0	644.6	476.2	342.9	207.5	126.8	101.9	85.4	74.0	65.7	64.0
225.0	453.1	301.6	183.8	113.6	91.9	76.2	64.2	59.0	57.7	53.9
270.0	453.1	301.6	183.8	113.6	91.9	76.2	64.2	59.0	57.7	53.9
315.0	606.8	428.4	273.2	151.1	101.5	88.1	75.6	61.9	57.3	53.9
360.0	606.8	428.4	273.2	151.1	101.5	88.1	75.6	61.9	57.3	53.9

C\G	50.0	51.0	52.0	53.0	54.0	55.0	56.0	57.0	58.0	59.0
0.0	53.7	51.0	47.9	42.0	38.7	37.1	37.6	32.0	29.3	30.0
45.0	58.3	57.0	54.1	50.3	44.5	44.3	38.9	38.2	36.2	31.1
90.0	58.3	57.0	54.1	50.3	44.5	44.3	38.9	38.2	36.2	31.1
135.0	58.8	53.2	50.5	50.1	47.2	41.2	39.1	36.5	33.3	33.7
180.0	58.8	53.2	50.5	50.1	47.2	41.2	39.1	36.5	33.3	33.7
225.0	51.2	44.9	43.4	39.8	40.7	37.8	32.6	34.0	30.8	26.4
270.0	51.2	44.9	43.4	39.8	40.7	37.8	32.6	34.0	30.8	26.4
315.0	53.7	51.0	47.9	42.0	38.7	37.1	37.6	32.0	29.3	30.0
360.0	53.7	51.0	47.9	42.0	38.7	37.1	37.6	32.0	29.3	30.0

C\G	60.0	61.0	62.0	63.0	64.0	65.0	66.0	67.0	68.0	69.0
0.0	27.7	22.6	19.7	18.1	16.6	14.1	12.1	11.1	10.1	9.0
45.0	30.8	25.1	25.3	23.3	18.8	17.0	17.6	15.9	14.1	10.7
90.0	30.8	25.1	25.3	23.3	18.8	17.0	17.6	15.9	14.1	10.7
135.0	31.3	29.1	26.4	23.7	21.7	19.3	17.0	13.2	12.3	10.7
180.0	31.3	29.1	26.4	23.7	21.7	19.3	17.0	13.2	12.3	10.7
225.0	26.4	20.6	18.6	19.0	17.4	12.5	11.4	9.6	9.2	7.8
270.0	26.4	20.6	18.6	19.0	17.4	12.5	11.4	9.6	9.2	7.8
315.0	27.7	22.6	19.7	18.1	16.6	14.1	12.1	11.1	10.1	9.0
360.0	27.7	22.6	19.7	18.1	16.6	14.1	12.1	11.1	10.1	9.0

C\G	70.0	71.0	72.0	73.0	74.0	75.0	76.0	77.0	78.0	79.0
0.0	8.0	7.5	7.0	5.8	5.9	6.0	5.5	4.9	5.5	6.0
45.0	9.8	11.4	9.8	9.0	8.3	8.3	7.6	7.4	4.9	4.2
90.0	9.8	11.4	9.8	9.0	8.3	8.3	7.6	7.4	4.9	4.2
135.0	9.6	8.5	7.8	7.2	6.8	6.5	6.2	5.8	7.6	7.8
180.0	9.6	8.5	7.8	7.2	6.8	6.5	6.2	5.8	7.6	7.8
225.0	6.9	6.0	5.7	5.4	6.2	7.0	6.6	6.2	5.9	5.6
270.0	6.9	6.0	5.7	5.4	6.2	7.0	6.6	6.2	5.9	5.6
315.0	8.0	7.5	7.0	5.8	5.9	6.0	5.5	4.9	5.5	6.0
360.0	8.0	7.5	7.0	5.8	5.9	6.0	5.5	4.9	5.5	6.0

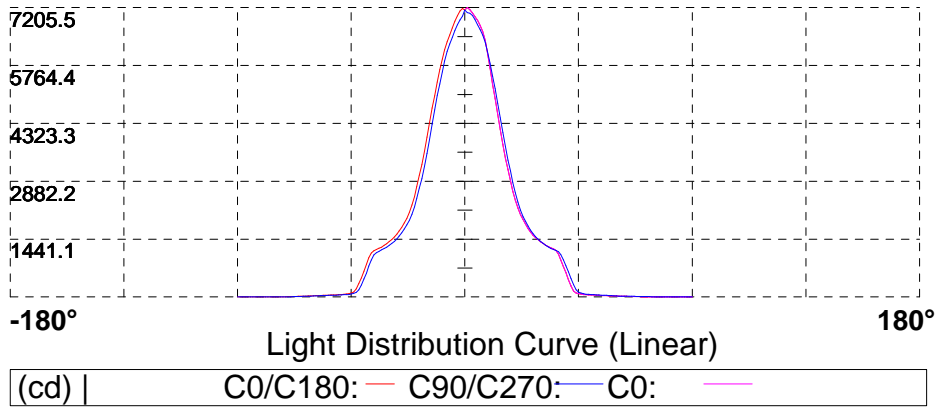
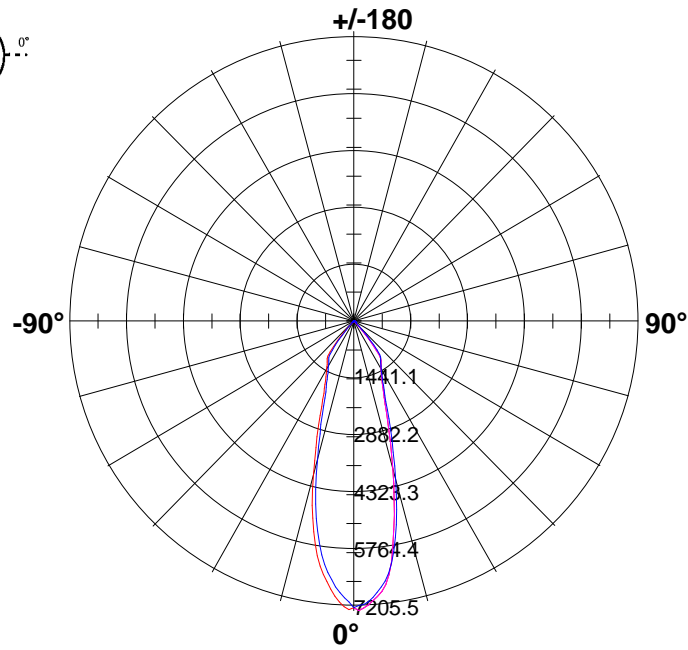
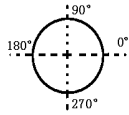
Photometric Data Table [cd]

C\G	80.0	81.0	82.0	83.0	84.0	85.0	86.0	87.0	88.0	89.0
0.0	4.4	3.3	2.2	1.8	0.2	0.0	0.0	0.0	0.0	0.0
45.0	3.8	4.6	5.4	2.2	0.7	0.0	0.0	0.0	0.0	0.0
90.0	3.8	4.6	5.4	2.2	0.7	0.0	0.0	0.0	0.0	0.0
135.0	6.5	6.4	6.2	3.6	1.8	0.2	0.0	0.0	0.0	0.0
180.0	6.5	6.4	6.2	3.6	1.8	0.2	0.0	0.0	0.0	0.0
225.0	5.4	4.7	1.8	0.7	0.7	0.0	0.0	0.0	0.0	0.0
270.0	5.4	4.7	1.8	0.7	0.7	0.0	0.0	0.0	0.0	0.0
315.0	4.4	3.3	2.2	1.8	0.2	0.0	0.0	0.0	0.0	0.0
360.0	4.4	3.3	2.2	1.8	0.2	0.0	0.0	0.0	0.0	0.0

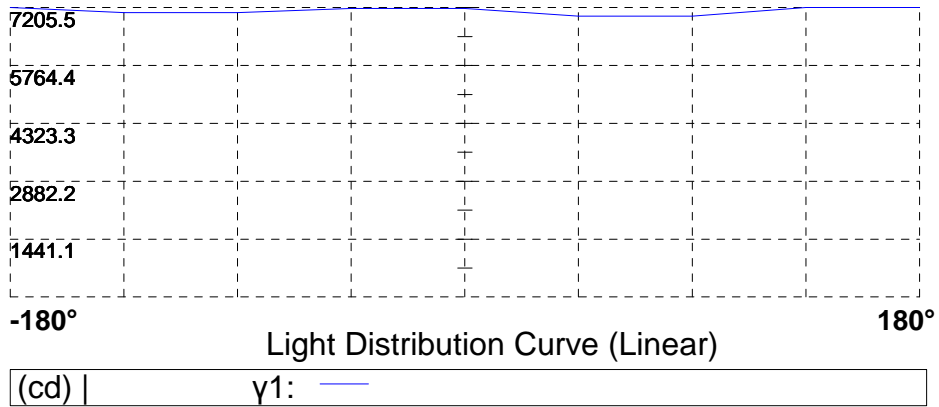
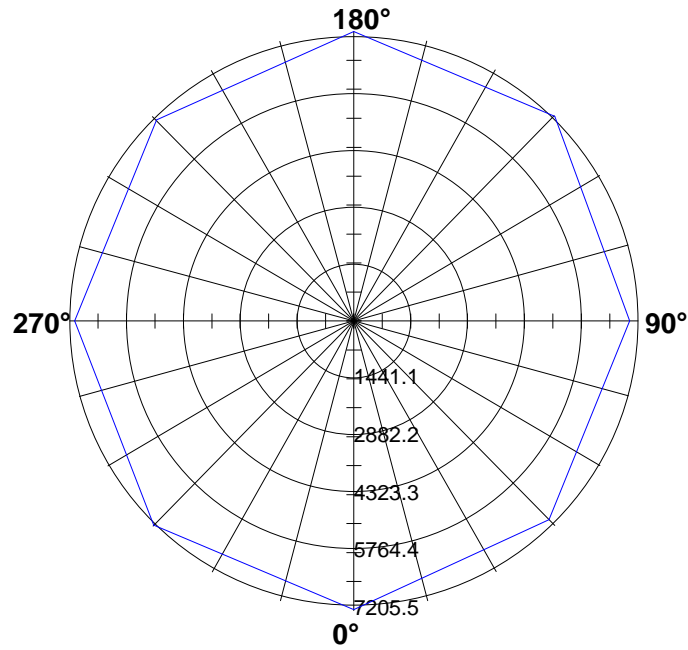
C\G	90.0
0.0	0.0
45.0	0.0
90.0	0.0
135.0	0.0
180.0	0.0
225.0	0.0
270.0	0.0
315.0	0.0
360.0	0.0

Light Distribution Curve [Unit: cd]

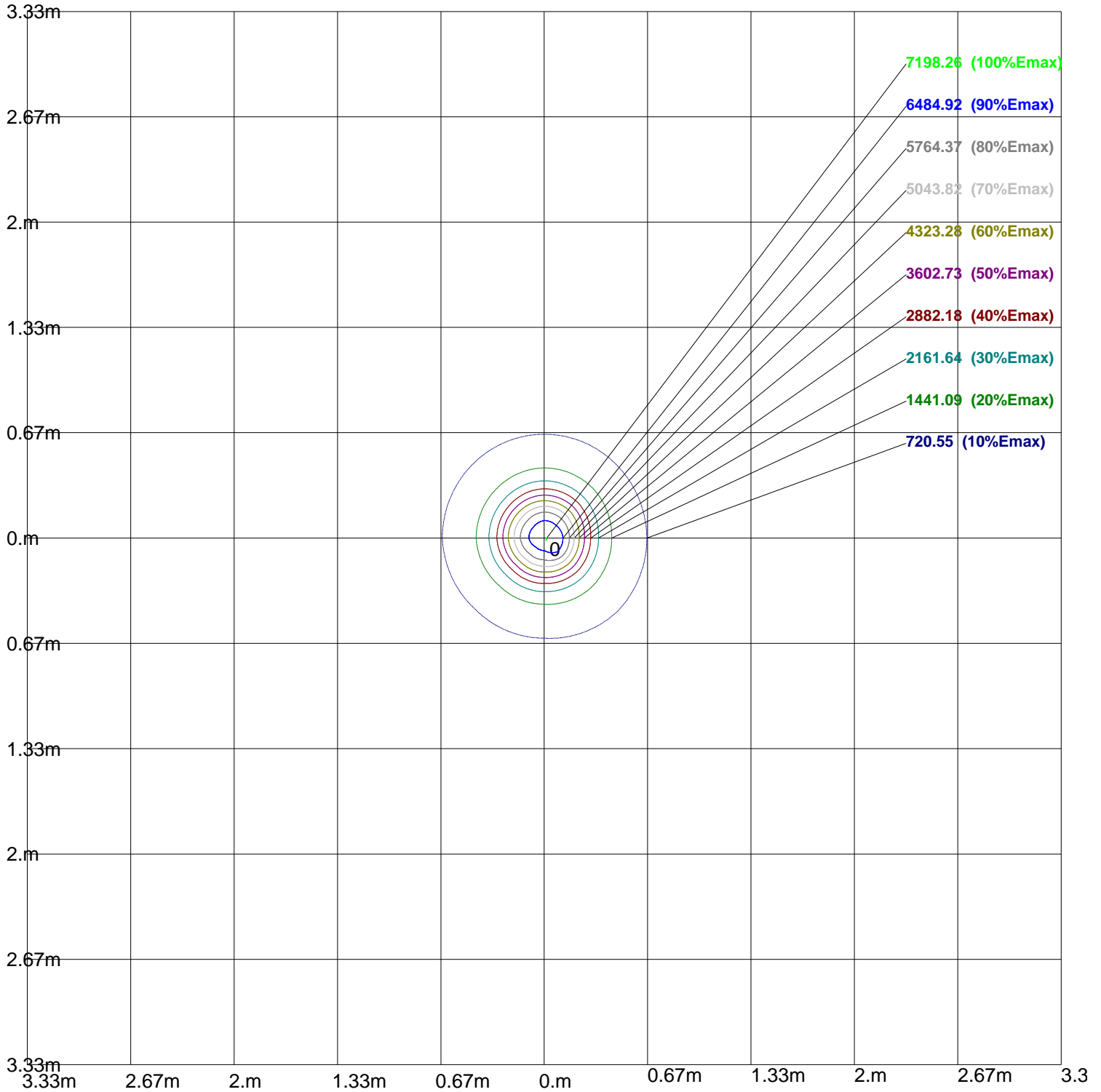
Luminaire



Max Plane Light Distribution Curve [Unit: cd]



Iso-Lux[lx]



Height: 1 m
Max Illuminance : 7205.46lx

Luminance Limiting Curve

Diameter: 165mm

Length: mm

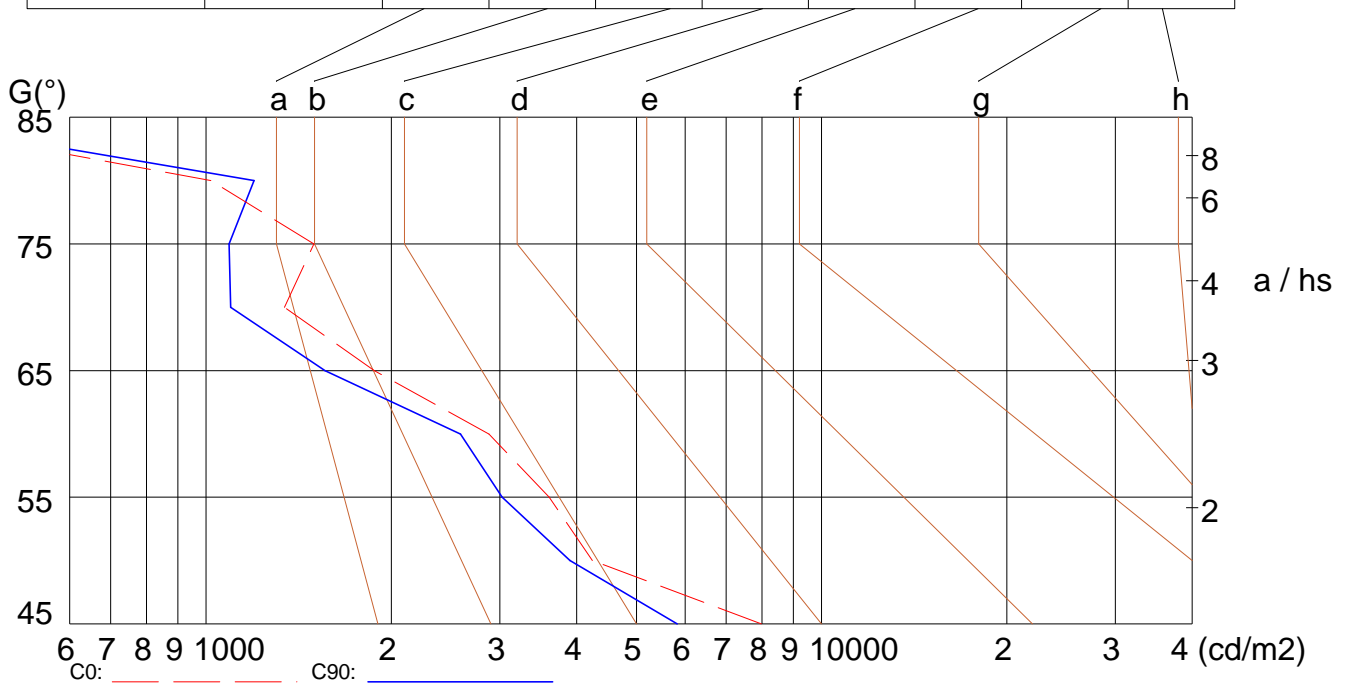
Width: 165mm

Height: 160mm

(cd/m²)

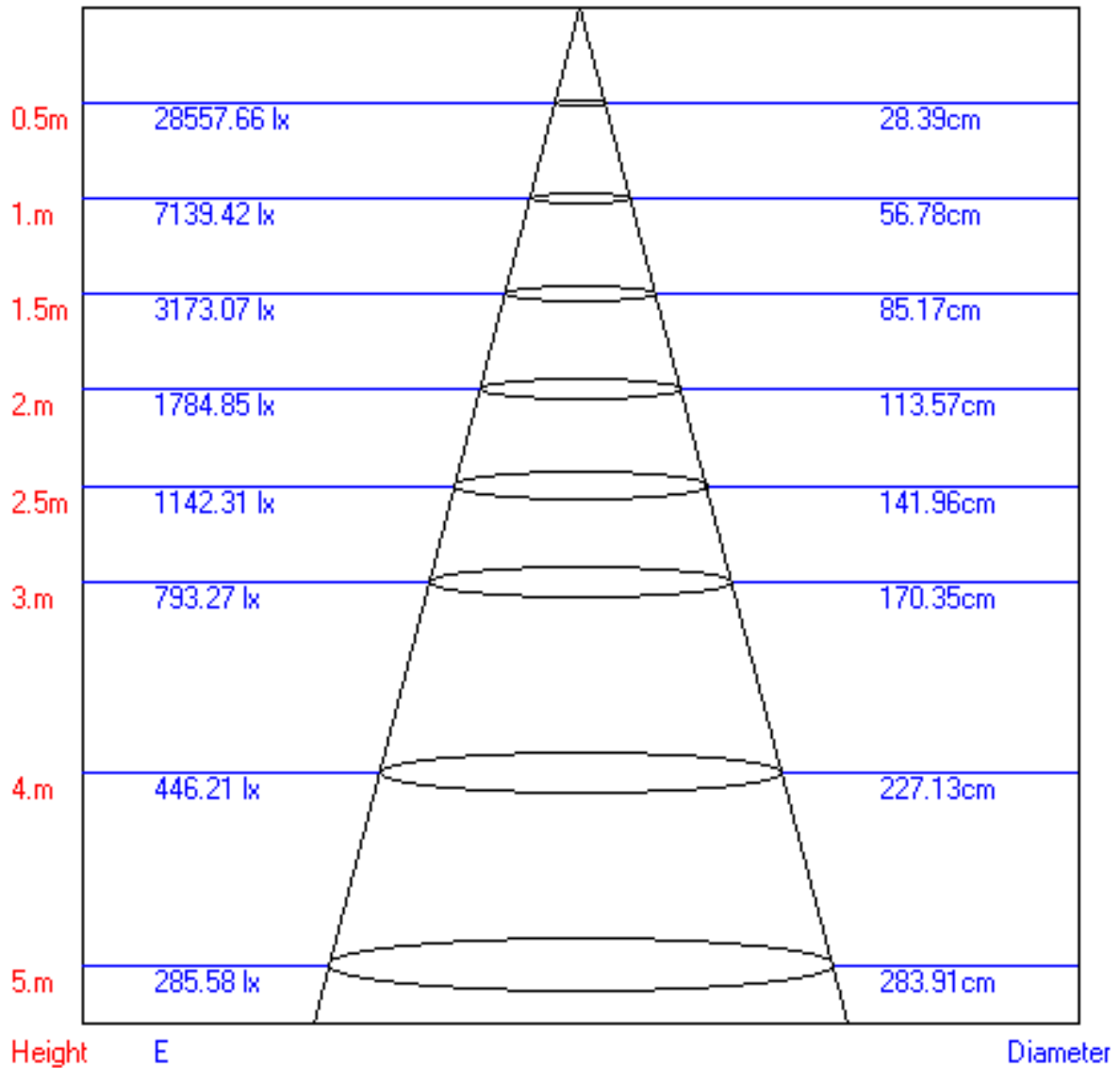
γ	45°	50°	55°	60°	65°	70°	75°	80°	85°
C0	7976	4240	3607	2881	1877	1341	1495	1018	
C90	5821	3902	3024	2590	1560	1097	1089	1197	

Glare	Quality	Service Values Illuminance (lx)							
1.15	A	2000	1000	500	≤300				
1.5	B		2000	1000	500	≤300			
1.85	C			2000	1000	500	≤300		
2.2	D				2000	1000	500	≤300	
2.55	E					2000	1000	500	≤300



Lum. Limiting Curve (C0/C90)

Lux-Distance Curve



Beam Angle:31.70°

Utilization Coefficient Table

RHOCC	80			70			50			30			10			0
RHOW	50	30	10	50	30	10	50	30	10	50	30	10	50	30	10	0
RCR	COEFFICIENTS OF UTILIZATION FOR RHOFC=20															
0	1.19	1.19	1.19	1.16	1.16	1.16	1.11	1.11	1.11	1.06	1.06	1.06	1.02	1.02	1.02	1.00
1	1.15	1.14	1.13	1.13	1.12	1.11	1.09	1.07	1.06	1.03	1.02	1.01	0.96	0.95	0.93	0.88
2	1.08	1.07	1.06	1.06	1.05	1.04	1.02	1.01	0.99	0.98	0.96	0.94	0.92	0.89	0.88	0.83
3	1.02	1.00	0.99	1.00	0.98	0.97	0.97	0.95	0.93	0.93	0.90	0.88	0.87	0.85	0.82	0.78
4	0.96	0.94	0.93	0.94	0.93	0.91	0.91	0.89	0.87	0.88	0.85	0.82	0.83	0.80	0.77	0.73
5	0.90	0.89	0.88	0.89	0.87	0.86	0.87	0.84	0.82	0.83	0.80	0.78	0.80	0.76	0.73	0.69
6	0.85	0.84	0.83	0.84	0.82	0.81	0.82	0.79	0.77	0.79	0.76	0.73	0.76	0.72	0.69	0.65
7	0.81	0.79	0.79	0.80	0.78	0.77	0.78	0.75	0.73	0.76	0.72	0.69	0.73	0.69	0.65	0.62
8	0.77	0.75	0.74	0.76	0.74	0.73	0.74	0.71	0.69	0.72	0.68	0.66	0.70	0.65	0.62	0.58
9	0.73	0.72	0.71	0.72	0.70	0.69	0.71	0.68	0.66	0.69	0.65	0.62	0.67	0.62	0.59	0.56
10	0.70	0.68	0.67	0.69	0.67	0.66	0.68	0.65	0.63	0.66	0.62	0.59	0.64	0.59	0.56	0.53

