

## Product Details

\*Model No.: RHW-002S  
 \*Power: 10W/20W  
 \*CRI: Min80~90  
 \*Rating: IP 65

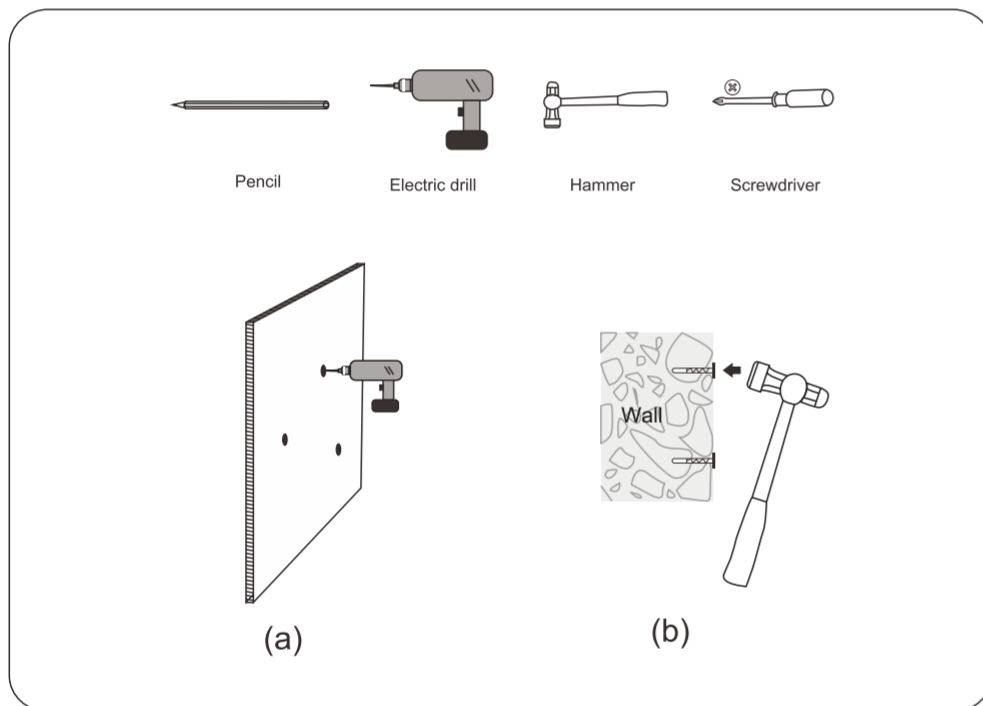
## Notes:

- Be sure the power is off before you install the lamp.
- Do not use the lamp for outdoor lighting, it is indoor use only and prevent to touch the chemicals.
- Do not look into the lamp directly and prevent shine of your eyes.
- Do not touch the fixture shades or lamp shield while the lamp is on, the lamp surface is hot.

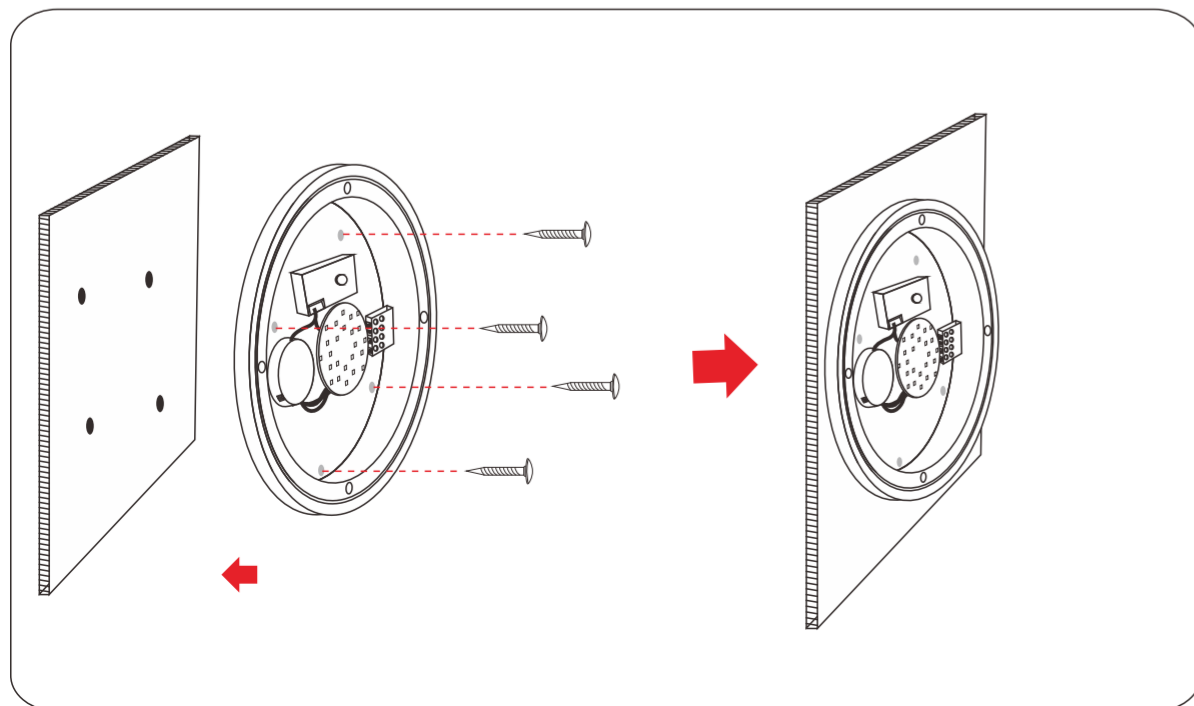
## Installation procedure



Step1: Make sure that the power supply is off. Using the drill dig 4 screw holes on the wall(a) and put the explore plastic into the holes(b).



Step2: Put the under cover and using screws to fixed onto the wall.



Step3: Fixed the top cover into the under cover with screws and finish the installation .

