

Luminaire Property

Luminaire: RH-CL03210 6W 4000K

Report NO.:

Voltage: 230.0 V

Test NO.:

Current: 0.032 A

Lamp:

Power: 6.8 W

Sum Lumens: 819.61 lm

Power Factor: 0.928

Number of Lamps: 1

Ballast Type: 150mA

Diameter: 80mm

Width: 80mm

Length: mm

Height: 33mm

Photometric Type: Type C

Remark: CREE CXA1507

Photometric Results

Lumens: 819.61 lm

Angle of maximum intensity: C:135.0 G:1.0

Efficiency: 120.5309 lm/W

Half Peak Side Angle(50%): Left: -25.5 Right:26.5

Central Intensity: 977.156cd

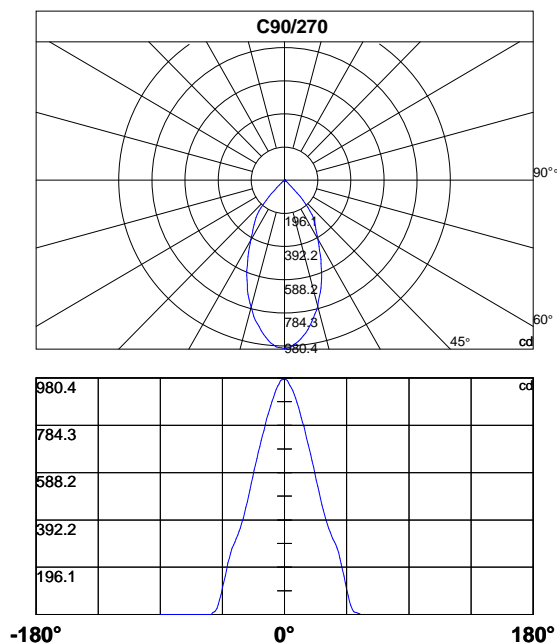
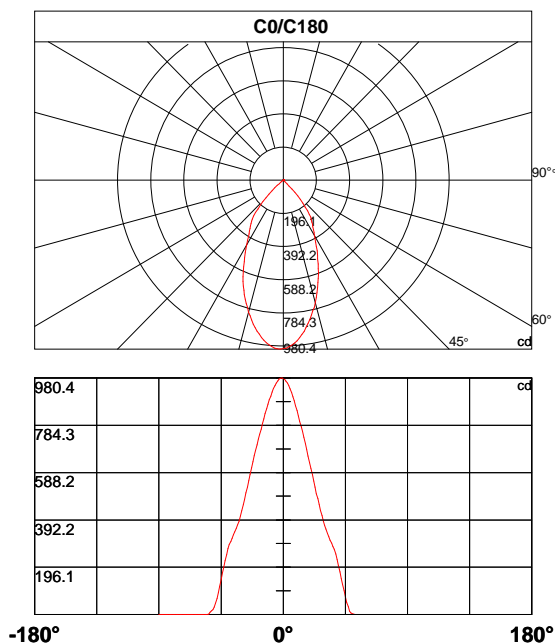
Light Out Rate(LOR) : 100.00%

Maximum Intensity: 980.427cd

Up Flux Rate: 0.0%

Down Flux Rate: 100.0%

Beam Angle(10%): Left: -45.0 Right:45.7



Photometric Data Table [cd]

C\G	0.0	1.0	2.0	3.0	4.0	5.0	6.0	7.0	8.0	9.0
0.0	977.2	974.9	967.1	959.5	948.1	935.3	919.3	902.6	887.0	865.7
45.0	977.2	973.6	969.9	959.8	949.5	938.1	927.1	909.9	896.5	877.9
90.0	977.2	973.6	969.9	959.8	949.5	938.1	927.1	909.9	896.5	877.9
135.0	977.2	980.4	979.1	977.1	968.0	959.9	949.6	936.6	922.7	904.4
180.0	977.2	980.4	979.1	977.1	968.0	959.9	949.6	936.6	922.7	904.4
225.0	977.2	974.0	972.4	968.7	956.2	947.4	933.0	917.9	901.5	883.9
270.0	977.2	974.0	972.4	968.7	956.2	947.4	933.0	917.9	901.5	883.9
315.0	977.2	974.9	967.1	959.5	948.1	935.3	919.3	902.6	887.0	865.7
360.0	977.2	974.9	967.1	959.5	948.1	935.3	919.3	902.6	887.0	865.7

C\G	10.0	11.0	12.0	13.0	14.0	15.0	16.0	17.0	18.0	19.0
0.0	845.4	822.0	799.9	778.4	758.9	734.7	708.0	682.6	656.9	629.4
45.0	858.0	838.0	817.9	797.3	778.7	755.1	729.4	705.1	683.3	662.2
90.0	858.0	838.0	817.9	797.3	778.7	755.1	729.4	705.1	683.3	662.2
135.0	890.8	871.9	854.0	833.4	810.6	791.9	768.2	747.6	727.3	704.1
180.0	890.8	871.9	854.0	833.4	810.6	791.9	768.2	747.6	727.3	704.1
225.0	864.7	848.2	831.1	811.4	787.2	763.2	742.1	721.2	696.0	672.5
270.0	864.7	848.2	831.1	811.4	787.2	763.2	742.1	721.2	696.0	672.5
315.0	845.4	822.0	799.9	778.4	758.9	734.7	708.0	682.6	656.9	629.4
360.0	845.4	822.0	799.9	778.4	758.9	734.7	708.0	682.6	656.9	629.4

C\G	20.0	21.0	22.0	23.0	24.0	25.0	26.0	27.0	28.0	29.0
0.0	606.7	580.2	554.1	528.1	500.4	480.2	456.5	431.6	410.1	388.0
45.0	637.2	610.0	583.8	557.7	530.2	508.3	482.5	454.3	434.5	413.8
90.0	637.2	610.0	583.8	557.7	530.2	508.3	482.5	454.3	434.5	413.8
135.0	679.2	658.2	633.1	608.5	579.9	554.6	527.9	504.1	478.2	455.3
180.0	679.2	658.2	633.1	608.5	579.9	554.6	527.9	504.1	478.2	455.3
225.0	645.8	620.6	597.9	570.7	542.3	516.3	491.7	467.1	443.4	419.4
270.0	645.8	620.6	597.9	570.7	542.3	516.3	491.7	467.1	443.4	419.4
315.0	606.7	580.2	554.1	528.1	500.4	480.2	456.5	431.6	410.1	388.0
360.0	606.7	580.2	554.1	528.1	500.4	480.2	456.5	431.6	410.1	388.0

C\G	30.0	31.0	32.0	33.0	34.0	35.0	36.0	37.0	38.0	39.0
0.0	368.8	353.8	336.3	322.2	308.2	296.2	282.0	270.3	251.1	228.2
45.0	390.5	374.8	356.9	340.4	326.7	313.1	302.0	290.0	275.8	257.8
90.0	390.5	374.8	356.9	340.4	326.7	313.1	302.0	290.0	275.8	257.8
135.0	429.8	408.6	387.8	372.1	356.3	342.7	330.2	316.4	302.3	290.1
180.0	429.8	408.6	387.8	372.1	356.3	342.7	330.2	316.4	302.3	290.1
225.0	397.0	377.7	358.3	344.9	328.8	314.3	299.7	287.2	274.9	256.7
270.0	397.0	377.7	358.3	344.9	328.8	314.3	299.7	287.2	274.9	256.7
315.0	368.8	353.8	336.3	322.2	308.2	296.2	282.0	270.3	251.1	228.2
360.0	368.8	353.8	336.3	322.2	308.2	296.2	282.0	270.3	251.1	228.2

Photometric Data Table [cd]

C\G	40.0	41.0	42.0	43.0	44.0	45.0	46.0	47.0	48.0	49.0
0.0	202.9	176.5	149.2	124.4	97.9	73.0	49.3	32.3	13.3	6.4
45.0	233.0	209.2	186.2	159.1	131.3	104.2	78.2	54.6	37.4	20.8
90.0	233.0	209.2	186.2	159.1	131.3	104.2	78.2	54.6	37.4	20.8
135.0	272.8	248.7	223.4	196.2	173.7	145.3	117.1	90.2	66.6	45.8
180.0	272.8	248.7	223.4	196.2	173.7	145.3	117.1	90.2	66.6	45.8
225.0	235.3	213.1	184.1	159.3	131.8	109.7	83.8	61.4	41.2	25.0
270.0	235.3	213.1	184.1	159.3	131.8	109.7	83.8	61.4	41.2	25.0
315.0	202.9	176.5	149.2	124.4	97.9	73.0	49.3	32.3	13.3	6.4
360.0	202.9	176.5	149.2	124.4	97.9	73.0	49.3	32.3	13.3	6.4

C\G	50.0	51.0	52.0	53.0	54.0	55.0	56.0	57.0	58.0	59.0
0.0	2.9	1.1	0.3	0.0	0.0	0.0	0.0	0.0	0.0	0.0
45.0	11.5	9.2	7.7	5.4	3.8	0.2	0.0	0.0	0.0	0.0
90.0	11.5	9.2	7.7	5.4	3.8	0.2	0.0	0.0	0.0	0.0
135.0	30.1	20.1	14.0	10.0	1.6	0.0	0.0	0.0	0.0	0.0
180.0	30.1	20.1	14.0	10.0	1.6	0.0	0.0	0.0	0.0	0.0
225.0	14.6	10.6	7.4	0.0	0.0	0.0	0.0	0.0	0.0	0.0
270.0	14.6	10.6	7.4	0.0	0.0	0.0	0.0	0.0	0.0	0.0
315.0	2.9	1.1	0.3	0.0	0.0	0.0	0.0	0.0	0.0	0.0
360.0	2.9	1.1	0.3	0.0	0.0	0.0	0.0	0.0	0.0	0.0

C\G	60.0	61.0	62.0	63.0	64.0	65.0	66.0	67.0	68.0	69.0
0.0	0.0	0.0	0.0	0.0	0.0	0.0	0.0	0.0	0.0	0.0
45.0	0.0	0.0	0.0	0.0	0.0	0.0	0.0	0.0	0.0	0.0
90.0	0.0	0.0	0.0	0.0	0.0	0.0	0.0	0.0	0.0	0.0
135.0	0.0	0.0	0.0	0.0	0.0	0.0	0.0	0.0	0.0	0.0
180.0	0.0	0.0	0.0	0.0	0.0	0.0	0.0	0.0	0.0	0.0
225.0	0.0	0.0	0.0	0.0	0.0	0.0	0.0	0.0	0.0	0.0
270.0	0.0	0.0	0.0	0.0	0.0	0.0	0.0	0.0	0.0	0.0
315.0	0.0	0.0	0.0	0.0	0.0	0.0	0.0	0.0	0.0	0.0
360.0	0.0	0.0	0.0	0.0	0.0	0.0	0.0	0.0	0.0	0.0

C\G	70.0	71.0	72.0	73.0	74.0	75.0	76.0	77.0	78.0	79.0
0.0	0.0	0.0	0.0	0.0	0.0	0.0	0.0	0.0	0.0	0.0
45.0	0.0	0.0	0.0	0.0	0.0	0.0	0.0	0.0	0.0	0.0
90.0	0.0	0.0	0.0	0.0	0.0	0.0	0.0	0.0	0.0	0.0
135.0	0.0	0.0	0.0	0.0	0.0	0.0	0.0	0.0	0.0	0.0
180.0	0.0	0.0	0.0	0.0	0.0	0.0	0.0	0.0	0.0	0.0
225.0	0.0	0.0	0.0	0.0	0.0	0.0	0.0	0.0	0.0	0.0
270.0	0.0	0.0	0.0	0.0	0.0	0.0	0.0	0.0	0.0	0.0
315.0	0.0	0.0	0.0	0.0	0.0	0.0	0.0	0.0	0.0	0.0
360.0	0.0	0.0	0.0	0.0	0.0	0.0	0.0	0.0	0.0	0.0

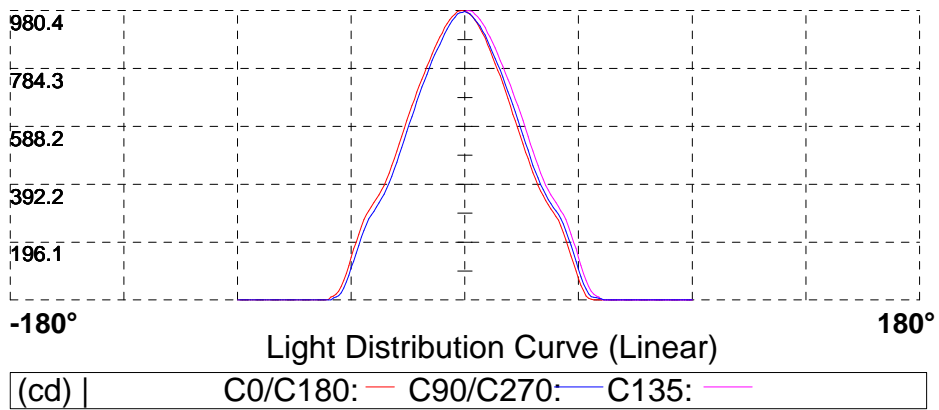
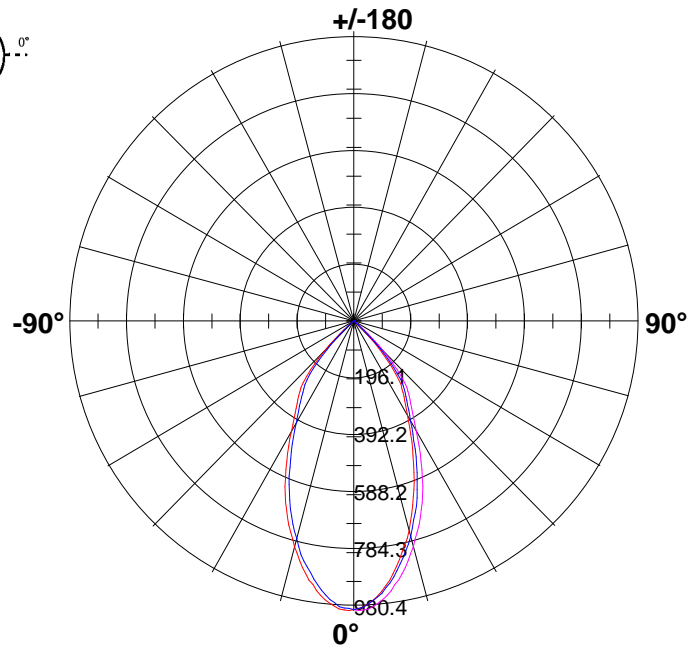
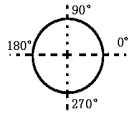
Photometric Data Table [cd]

C\G	80.0	81.0	82.0	83.0	84.0	85.0	86.0	87.0	88.0	89.0
0.0	0.0	0.0	0.0	0.0	0.0	0.0	0.0	0.0	0.0	0.0
45.0	0.0	0.0	0.0	0.0	0.0	0.0	0.0	0.0	0.0	0.0
90.0	0.0	0.0	0.0	0.0	0.0	0.0	0.0	0.0	0.0	0.0
135.0	0.0	0.0	0.0	0.0	0.0	0.0	0.0	0.0	0.0	0.0
180.0	0.0	0.0	0.0	0.0	0.0	0.0	0.0	0.0	0.0	0.0
225.0	0.0	0.0	0.0	0.0	0.0	0.0	0.0	0.0	0.0	0.0
270.0	0.0	0.0	0.0	0.0	0.0	0.0	0.0	0.0	0.0	0.0
315.0	0.0	0.0	0.0	0.0	0.0	0.0	0.0	0.0	0.0	0.0
360.0	0.0	0.0	0.0	0.0	0.0	0.0	0.0	0.0	0.0	0.0

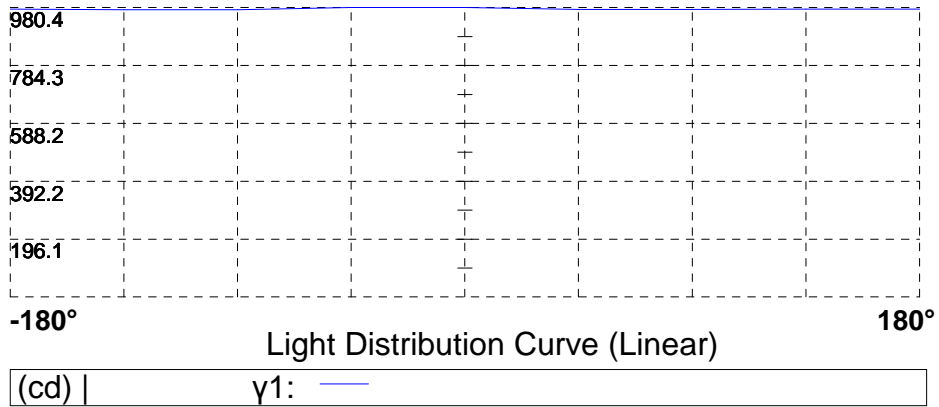
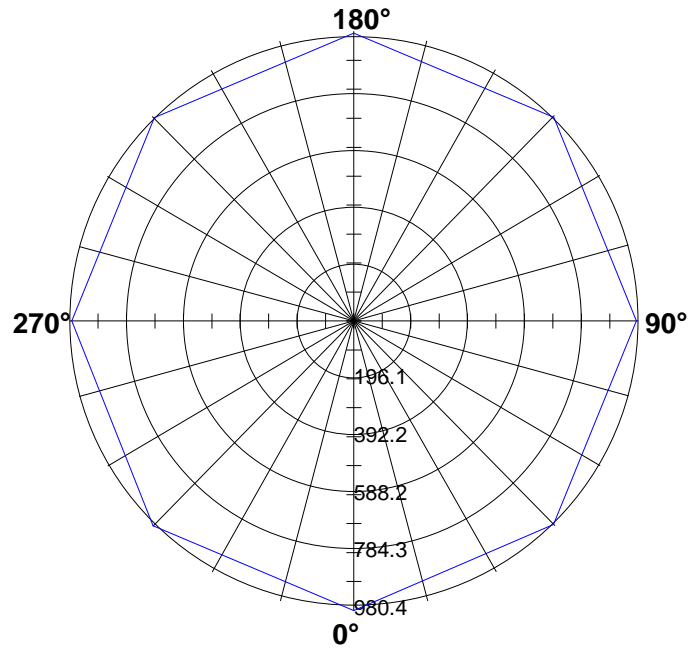
C\G	90.0
0.0	0.0
45.0	0.0
90.0	0.0
135.0	0.0
180.0	0.0
225.0	0.0
270.0	0.0
315.0	0.0
360.0	0.0

Light Distribution Curve [Unit: cd]

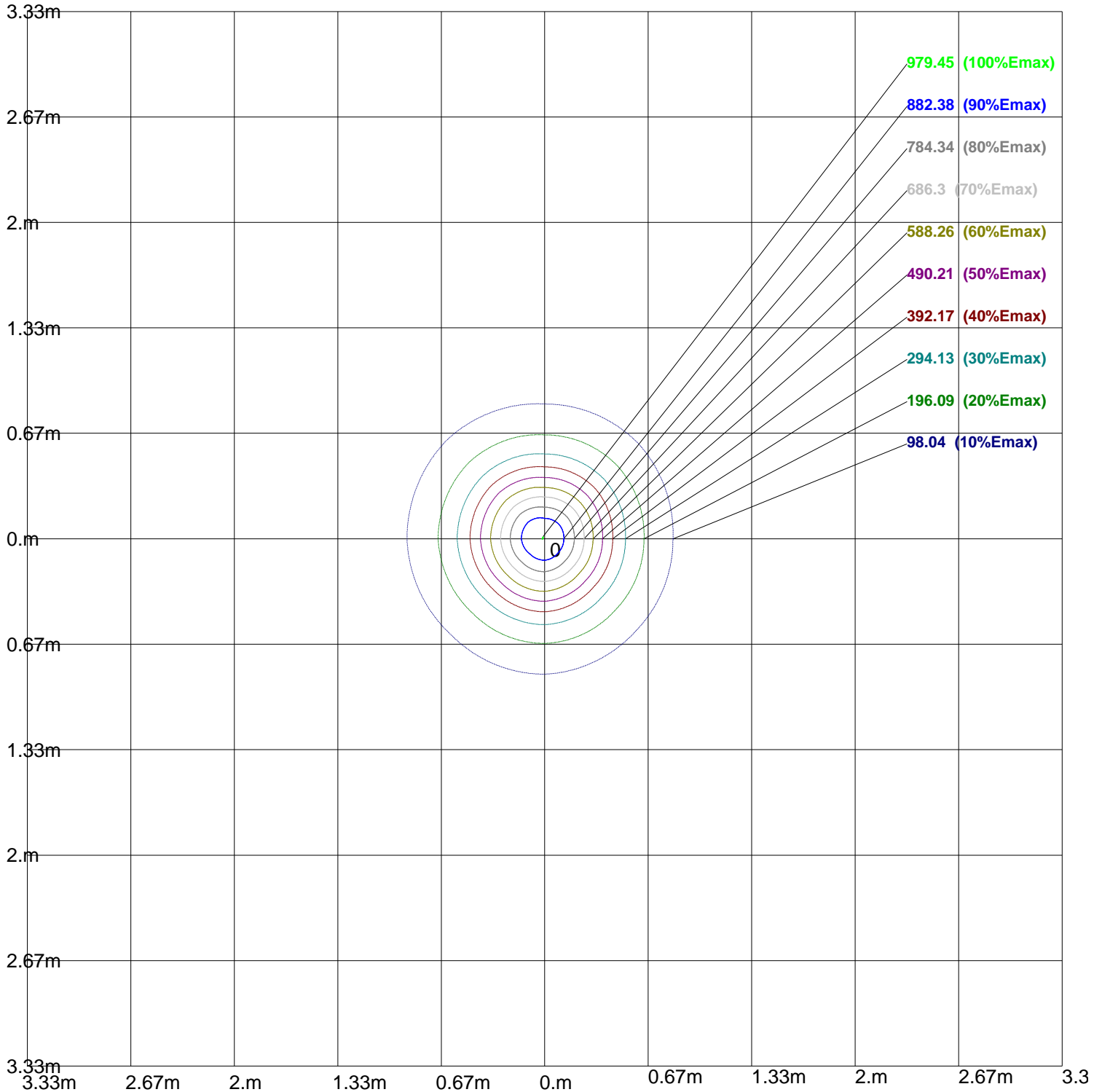
Luminaire



Max Plane Light Distribution Curve [Unit: cd]



Iso-Lux[lx]



Height: 1 m
Max Illuminance : 980.43lx

Luminance Limiting Curve

Diameter: 80mm

Length: mm

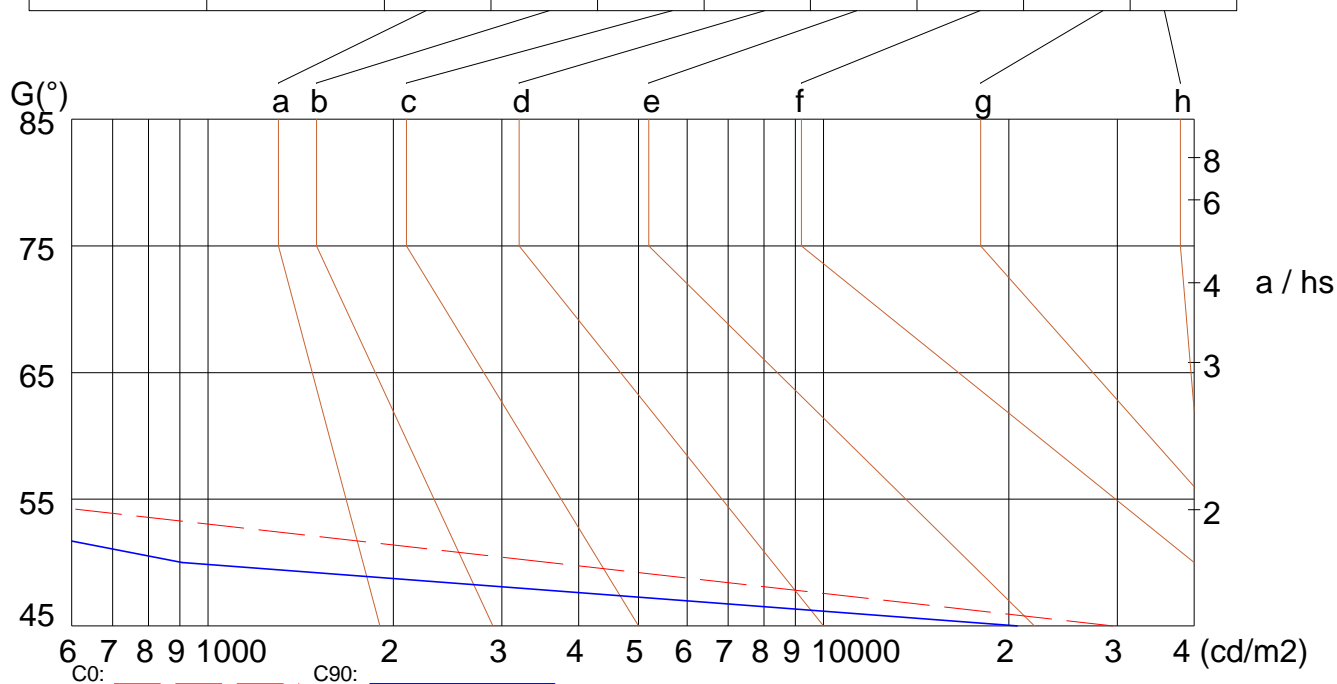
Width: 80mm

Height: 33mm

(cd/m²)

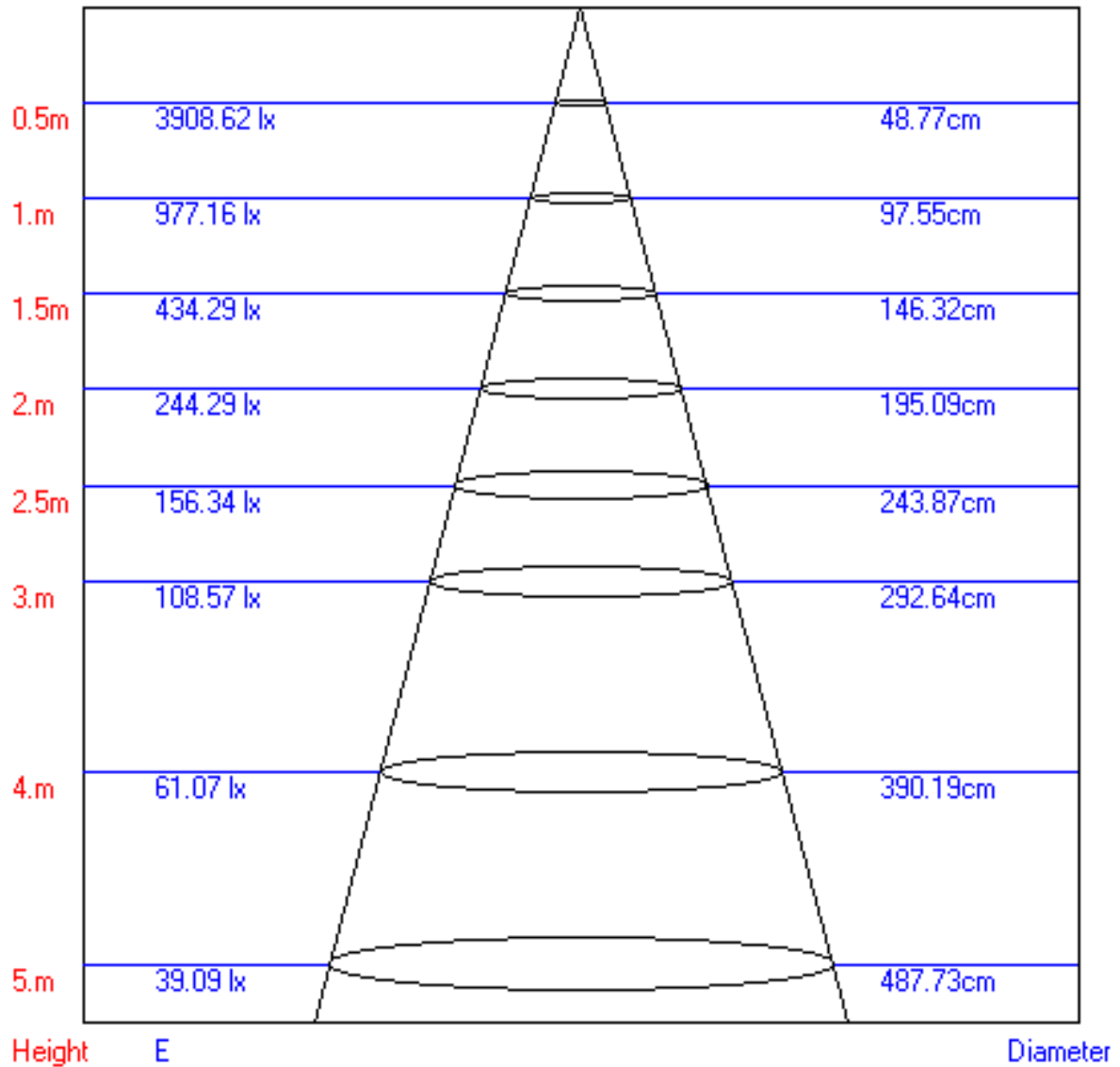
γ	45°	50°	55°	60°	65°	70°	75°	80°	85°
C0	29483	3579							
C90	20634	907							

Glare	Quality	Service Values Illuminance (lx)							
1.15	A	2000	1000	500	≤300				
1.5	B		2000	1000	500	≤300			
1.85	C			2000	1000	500	≤300		
2.2	D				2000	1000	500	≤300	
2.55	E					2000	1000	500	≤300



Lum. Limiting Curve (C0/C90)

Lux-Distance Curve



Beam Angle:52.00°

Utilization Coefficient Table

RHOCC	80			70			50			30			10			0
RHOW	50	30	10	50	30	10	50	30	10	50	30	10	50	30	10	0
RCR	COEFFICIENTS OF UTILIZATION FOR RHOFC=20															
0	1.19	1.19	1.19	1.16	1.16	1.16	1.11	1.11	1.11	1.06	1.06	1.06	1.02	1.02	1.02	1.00
1	1.14	1.13	1.12	1.12	1.11	1.10	1.08	1.07	1.06	1.02	1.01	1.00	0.95	0.94	0.93	0.88
2	1.06	1.05	1.04	1.05	1.03	1.02	1.01	0.99	0.97	0.96	0.94	0.92	0.90	0.88	0.86	0.81
3	0.99	0.97	0.96	0.97	0.95	0.94	0.94	0.92	0.90	0.90	0.87	0.85	0.85	0.82	0.80	0.75
4	0.92	0.90	0.89	0.91	0.88	0.87	0.88	0.85	0.83	0.85	0.81	0.79	0.81	0.77	0.74	0.70
5	0.85	0.84	0.83	0.84	0.82	0.81	0.82	0.79	0.77	0.80	0.76	0.73	0.76	0.72	0.69	0.65
6	0.79	0.78	0.77	0.79	0.76	0.75	0.77	0.74	0.71	0.75	0.71	0.68	0.72	0.67	0.64	0.60
7	0.74	0.73	0.71	0.74	0.71	0.70	0.72	0.69	0.67	0.70	0.66	0.63	0.68	0.63	0.60	0.56
8	0.69	0.68	0.67	0.69	0.67	0.65	0.68	0.64	0.62	0.66	0.62	0.59	0.64	0.59	0.56	0.52
9	0.65	0.64	0.63	0.65	0.63	0.61	0.64	0.60	0.58	0.63	0.58	0.55	0.61	0.56	0.52	0.49
10	0.61	0.60	0.59	0.61	0.59	0.57	0.60	0.57	0.55	0.59	0.55	0.52	0.58	0.53	0.49	0.46

