

Luminaire Property

Luminaire: RH-MRD24 24W 4000K

Report NO.:

Voltage: 220.5 V

Test NO.:

Current: 0.176 A

Lamp:

Power: 21.8 W

Sum Lumens: 2092.26 lm

Power Factor: 0.561

Number of Lamps: 1

Ballast Type: EMC300mA

Diameter: 300mm

Width: 300mm

Length: mm

Height: 38mm

Photometric Type: Type C

Remark: PMMA+0.5WSMD2835

Photometric Results

Lumens: 2092.26 lm

Angle of maximum intensity: C:135.0 G:1.0

Effective luminous flux: 2061.03 lm

Half Peak Side Angle(50%): Left: -53.7 Right:55.2

Efficiency: 95.9752 lm/W

Light Out Rate(LOR) : 100.00%

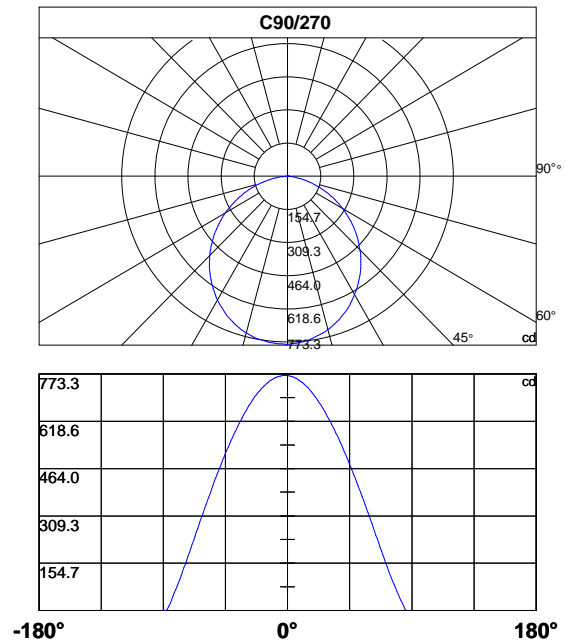
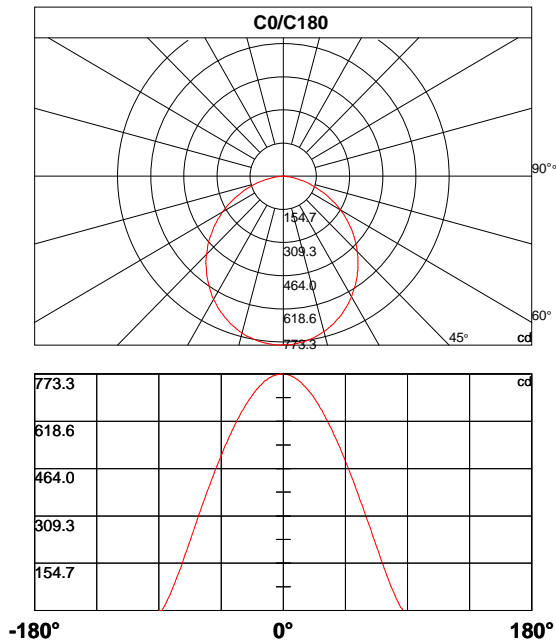
Central Intensity: 770.91cd

Up Flux Rate: 0.0%

Maximum Intensity: 773.279cd

Down Flux Rate: 100.0%

Beam Angle(10%): Left: -78.2 Right:79.6



Photometric Data Table [cd]

| C\G | 0.0 | 1.0 | 2.0 | 3.0 | 4.0 | 5.0 | 6.0 | 7.0 | 8.0 | 9.0 |
|-------|-------|-------|-------|-------|-------|-------|-------|-------|-------|-------|
| 0.0 | 770.9 | 773.1 | 772.5 | 771.1 | 770.1 | 768.5 | 766.7 | 764.4 | 761.9 | 759.0 |
| 45.0 | 770.9 | 767.4 | 766.5 | 765.4 | 763.8 | 761.5 | 759.6 | 757.3 | 754.2 | 751.2 |
| 90.0 | 770.9 | 767.4 | 766.5 | 765.4 | 763.8 | 761.5 | 759.6 | 757.3 | 754.2 | 751.2 |
| 135.0 | 770.9 | 773.3 | 773.2 | 772.8 | 771.8 | 770.6 | 769.3 | 767.6 | 765.9 | 763.1 |
| 180.0 | 770.9 | 773.3 | 773.2 | 772.8 | 771.8 | 770.6 | 769.3 | 767.6 | 765.9 | 763.1 |
| 225.0 | 770.9 | 768.6 | 768.4 | 768.3 | 768.0 | 766.7 | 765.9 | 764.7 | 762.7 | 760.5 |
| 270.0 | 770.9 | 768.6 | 768.4 | 768.3 | 768.0 | 766.7 | 765.9 | 764.7 | 762.7 | 760.5 |
| 315.0 | 770.9 | 773.1 | 772.5 | 771.1 | 770.1 | 768.5 | 766.7 | 764.4 | 761.9 | 759.0 |
| 360.0 | 770.9 | 773.1 | 772.5 | 771.1 | 770.1 | 768.5 | 766.7 | 764.4 | 761.9 | 759.0 |

| C\G | 10.0 | 11.0 | 12.0 | 13.0 | 14.0 | 15.0 | 16.0 | 17.0 | 18.0 | 19.0 |
|-------|-------|-------|-------|-------|-------|-------|-------|-------|-------|-------|
| 0.0 | 755.6 | 752.5 | 749.0 | 745.1 | 740.5 | 735.7 | 730.8 | 726.6 | 721.0 | 715.4 |
| 45.0 | 747.7 | 743.9 | 739.9 | 736.2 | 732.0 | 727.0 | 722.0 | 716.2 | 710.9 | 705.5 |
| 90.0 | 747.7 | 743.9 | 739.9 | 736.2 | 732.0 | 727.0 | 722.0 | 716.2 | 710.9 | 705.5 |
| 135.0 | 760.5 | 757.4 | 754.1 | 751.2 | 747.4 | 743.1 | 738.5 | 733.9 | 728.8 | 723.9 |
| 180.0 | 760.5 | 757.4 | 754.1 | 751.2 | 747.4 | 743.1 | 738.5 | 733.9 | 728.8 | 723.9 |
| 225.0 | 758.5 | 756.4 | 753.3 | 750.1 | 746.2 | 742.5 | 738.5 | 734.7 | 730.0 | 725.2 |
| 270.0 | 758.5 | 756.4 | 753.3 | 750.1 | 746.2 | 742.5 | 738.5 | 734.7 | 730.0 | 725.2 |
| 315.0 | 755.6 | 752.5 | 749.0 | 745.1 | 740.5 | 735.7 | 730.8 | 726.6 | 721.0 | 715.4 |
| 360.0 | 755.6 | 752.5 | 749.0 | 745.1 | 740.5 | 735.7 | 730.8 | 726.6 | 721.0 | 715.4 |

| C\G | 20.0 | 21.0 | 22.0 | 23.0 | 24.0 | 25.0 | 26.0 | 27.0 | 28.0 | 29.0 |
|-------|-------|-------|-------|-------|-------|-------|-------|-------|-------|-------|
| 0.0 | 709.4 | 703.0 | 697.0 | 690.5 | 683.3 | 675.8 | 668.7 | 660.8 | 653.9 | 645.2 |
| 45.0 | 699.7 | 693.0 | 686.2 | 679.5 | 673.1 | 665.9 | 658.2 | 650.4 | 642.0 | 633.5 |
| 90.0 | 699.7 | 693.0 | 686.2 | 679.5 | 673.1 | 665.9 | 658.2 | 650.4 | 642.0 | 633.5 |
| 135.0 | 718.5 | 712.5 | 706.5 | 700.3 | 693.5 | 687.5 | 680.3 | 673.5 | 665.5 | 657.5 |
| 180.0 | 718.5 | 712.5 | 706.5 | 700.3 | 693.5 | 687.5 | 680.3 | 673.5 | 665.5 | 657.5 |
| 225.0 | 719.8 | 714.3 | 708.4 | 703.0 | 696.8 | 690.1 | 683.3 | 676.1 | 669.5 | 662.2 |
| 270.0 | 719.8 | 714.3 | 708.4 | 703.0 | 696.8 | 690.1 | 683.3 | 676.1 | 669.5 | 662.2 |
| 315.0 | 709.4 | 703.0 | 697.0 | 690.5 | 683.3 | 675.8 | 668.7 | 660.8 | 653.9 | 645.2 |
| 360.0 | 709.4 | 703.0 | 697.0 | 690.5 | 683.3 | 675.8 | 668.7 | 660.8 | 653.9 | 645.2 |

| C\G | 30.0 | 31.0 | 32.0 | 33.0 | 34.0 | 35.0 | 36.0 | 37.0 | 38.0 | 39.0 |
|-------|-------|-------|-------|-------|-------|-------|-------|-------|-------|-------|
| 0.0 | 637.1 | 628.0 | 619.1 | 609.9 | 601.7 | 592.4 | 582.7 | 572.6 | 562.2 | 553.7 |
| 45.0 | 624.8 | 617.4 | 608.5 | 599.0 | 589.9 | 580.0 | 571.5 | 561.9 | 551.5 | 541.3 |
| 90.0 | 624.8 | 617.4 | 608.5 | 599.0 | 589.9 | 580.0 | 571.5 | 561.9 | 551.5 | 541.3 |
| 135.0 | 650.5 | 642.3 | 633.4 | 624.6 | 615.7 | 605.8 | 596.8 | 588.1 | 578.5 | 568.0 |
| 180.0 | 650.5 | 642.3 | 633.4 | 624.6 | 615.7 | 605.8 | 596.8 | 588.1 | 578.5 | 568.0 |
| 225.0 | 654.0 | 646.0 | 637.5 | 628.8 | 621.2 | 612.5 | 603.2 | 593.7 | 583.8 | 574.2 |
| 270.0 | 654.0 | 646.0 | 637.5 | 628.8 | 621.2 | 612.5 | 603.2 | 593.7 | 583.8 | 574.2 |
| 315.0 | 637.1 | 628.0 | 619.1 | 609.9 | 601.7 | 592.4 | 582.7 | 572.6 | 562.2 | 553.7 |
| 360.0 | 637.1 | 628.0 | 619.1 | 609.9 | 601.7 | 592.4 | 582.7 | 572.6 | 562.2 | 553.7 |

Photometric Data Table [cd]

| C\G | 40.0 | 41.0 | 42.0 | 43.0 | 44.0 | 45.0 | 46.0 | 47.0 | 48.0 | 49.0 |
|-------|-------|-------|-------|-------|-------|-------|-------|-------|-------|-------|
| 0.0 | 542.9 | 532.4 | 521.3 | 510.5 | 498.9 | 489.2 | 477.7 | 466.1 | 454.3 | 442.5 |
| 45.0 | 530.8 | 519.9 | 510.8 | 499.6 | 488.7 | 477.4 | 465.7 | 454.3 | 444.0 | 432.2 |
| 90.0 | 530.8 | 519.9 | 510.8 | 499.6 | 488.7 | 477.4 | 465.7 | 454.3 | 444.0 | 432.2 |
| 135.0 | 558.0 | 547.7 | 538.6 | 527.8 | 516.6 | 505.8 | 494.0 | 483.2 | 473.2 | 461.4 |
| 180.0 | 558.0 | 547.7 | 538.6 | 527.8 | 516.6 | 505.8 | 494.0 | 483.2 | 473.2 | 461.4 |
| 225.0 | 565.3 | 554.9 | 544.7 | 533.9 | 523.1 | 513.5 | 502.7 | 491.0 | 479.7 | 467.9 |
| 270.0 | 565.3 | 554.9 | 544.7 | 533.9 | 523.1 | 513.5 | 502.7 | 491.0 | 479.7 | 467.9 |
| 315.0 | 542.9 | 532.4 | 521.3 | 510.5 | 498.9 | 489.2 | 477.7 | 466.1 | 454.3 | 442.5 |
| 360.0 | 542.9 | 532.4 | 521.3 | 510.5 | 498.9 | 489.2 | 477.7 | 466.1 | 454.3 | 442.5 |

| C\G | 50.0 | 51.0 | 52.0 | 53.0 | 54.0 | 55.0 | 56.0 | 57.0 | 58.0 | 59.0 |
|-------|-------|-------|-------|-------|-------|-------|-------|-------|-------|-------|
| 0.0 | 430.5 | 419.7 | 407.5 | 395.1 | 382.7 | 369.9 | 356.8 | 345.7 | 332.9 | 319.9 |
| 45.0 | 420.0 | 408.2 | 395.7 | 385.2 | 372.7 | 360.2 | 347.6 | 334.3 | 321.7 | 310.6 |
| 90.0 | 420.0 | 408.2 | 395.7 | 385.2 | 372.7 | 360.2 | 347.6 | 334.3 | 321.7 | 310.6 |
| 135.0 | 449.1 | 437.5 | 424.9 | 412.6 | 401.7 | 389.8 | 376.2 | 363.9 | 350.4 | 339.7 |
| 180.0 | 449.1 | 437.5 | 424.9 | 412.6 | 401.7 | 389.8 | 376.2 | 363.9 | 350.4 | 339.7 |
| 225.0 | 455.9 | 444.2 | 433.7 | 421.5 | 409.2 | 396.4 | 383.7 | 370.8 | 360.1 | 347.1 |
| 270.0 | 455.9 | 444.2 | 433.7 | 421.5 | 409.2 | 396.4 | 383.7 | 370.8 | 360.1 | 347.1 |
| 315.0 | 430.5 | 419.7 | 407.5 | 395.1 | 382.7 | 369.9 | 356.8 | 345.7 | 332.9 | 319.9 |
| 360.0 | 430.5 | 419.7 | 407.5 | 395.1 | 382.7 | 369.9 | 356.8 | 345.7 | 332.9 | 319.9 |

| C\G | 60.0 | 61.0 | 62.0 | 63.0 | 64.0 | 65.0 | 66.0 | 67.0 | 68.0 | 69.0 |
|-------|-------|-------|-------|-------|-------|-------|-------|-------|-------|-------|
| 0.0 | 306.8 | 293.7 | 281.9 | 268.9 | 255.5 | 241.8 | 228.5 | 215.2 | 203.5 | 190.1 |
| 45.0 | 297.5 | 284.7 | 271.3 | 258.2 | 245.0 | 233.9 | 220.7 | 207.7 | 194.2 | 181.3 |
| 90.0 | 297.5 | 284.7 | 271.3 | 258.2 | 245.0 | 233.9 | 220.7 | 207.7 | 194.2 | 181.3 |
| 135.0 | 326.8 | 313.2 | 299.9 | 286.7 | 273.4 | 259.5 | 248.0 | 234.6 | 221.1 | 208.0 |
| 180.0 | 326.8 | 313.2 | 299.9 | 286.7 | 273.4 | 259.5 | 248.0 | 234.6 | 221.1 | 208.0 |
| 225.0 | 334.0 | 320.6 | 307.4 | 296.2 | 282.8 | 269.0 | 255.7 | 242.3 | 228.9 | 217.0 |
| 270.0 | 334.0 | 320.6 | 307.4 | 296.2 | 282.8 | 269.0 | 255.7 | 242.3 | 228.9 | 217.0 |
| 315.0 | 306.8 | 293.7 | 281.9 | 268.9 | 255.5 | 241.8 | 228.5 | 215.2 | 203.5 | 190.1 |
| 360.0 | 306.8 | 293.7 | 281.9 | 268.9 | 255.5 | 241.8 | 228.5 | 215.2 | 203.5 | 190.1 |

| C\G | 70.0 | 71.0 | 72.0 | 73.0 | 74.0 | 75.0 | 76.0 | 77.0 | 78.0 | 79.0 |
|-------|-------|-------|-------|-------|-------|-------|-------|-------|-------|------|
| 0.0 | 177.0 | 164.1 | 151.4 | 138.2 | 127.6 | 115.0 | 103.0 | 91.0 | 79.7 | 68.4 |
| 45.0 | 170.4 | 157.3 | 144.7 | 132.2 | 120.2 | 108.0 | 96.0 | 86.2 | 75.0 | 63.7 |
| 90.0 | 170.4 | 157.3 | 144.7 | 132.2 | 120.2 | 108.0 | 96.0 | 86.2 | 75.0 | 63.7 |
| 135.0 | 194.5 | 183.3 | 169.9 | 157.0 | 143.8 | 131.0 | 120.4 | 108.2 | 96.0 | 84.3 |
| 180.0 | 194.5 | 183.3 | 169.9 | 157.0 | 143.8 | 131.0 | 120.4 | 108.2 | 96.0 | 84.3 |
| 225.0 | 203.8 | 190.4 | 176.9 | 164.0 | 150.5 | 139.9 | 127.1 | 114.4 | 102.4 | 90.2 |
| 270.0 | 203.8 | 190.4 | 176.9 | 164.0 | 150.5 | 139.9 | 127.1 | 114.4 | 102.4 | 90.2 |
| 315.0 | 177.0 | 164.1 | 151.4 | 138.2 | 127.6 | 115.0 | 103.0 | 91.0 | 79.7 | 68.4 |
| 360.0 | 177.0 | 164.1 | 151.4 | 138.2 | 127.6 | 115.0 | 103.0 | 91.0 | 79.7 | 68.4 |

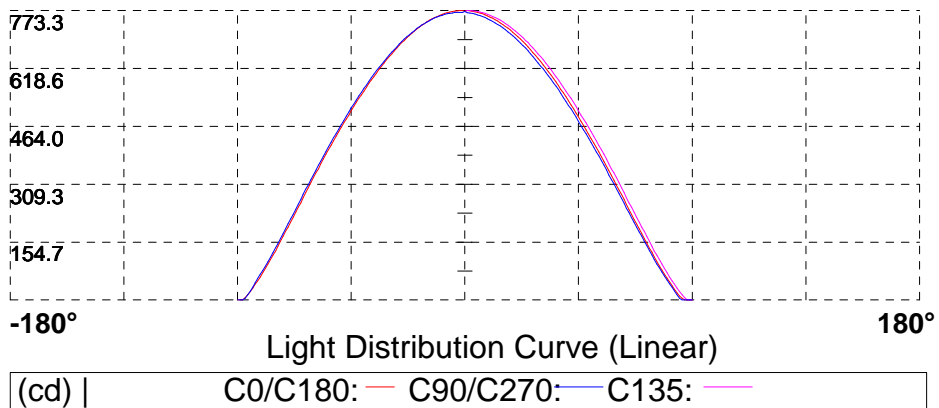
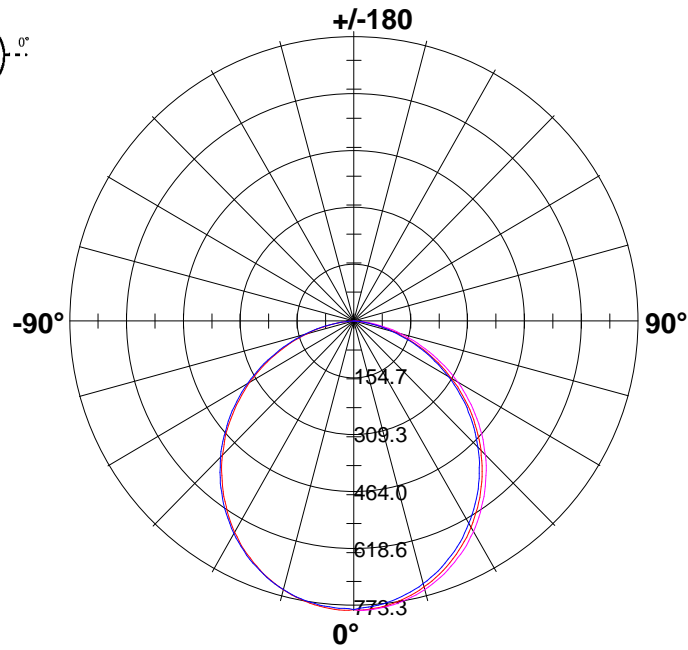
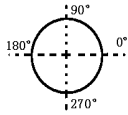
Photometric Data Table [cd]

| C\G | 80.0 | 81.0 | 82.0 | 83.0 | 84.0 | 85.0 | 86.0 | 87.0 | 88.0 | 89.0 |
|-------|------|------|------|------|------|------|------|------|------|------|
| 0.0 | 58.8 | 48.6 | 38.2 | 28.8 | 19.7 | 11.2 | 4.6 | 0.0 | 0.0 | 0.0 |
| 45.0 | 53.1 | 42.9 | 34.0 | 24.2 | 14.2 | 4.4 | 0.0 | 0.0 | 0.0 | 0.0 |
| 90.0 | 53.1 | 42.9 | 34.0 | 24.2 | 14.2 | 4.4 | 0.0 | 0.0 | 0.0 | 0.0 |
| 135.0 | 72.8 | 61.5 | 50.9 | 42.1 | 32.3 | 22.9 | 13.9 | 6.3 | 0.0 | 0.0 |
| 180.0 | 72.8 | 61.5 | 50.9 | 42.1 | 32.3 | 22.9 | 13.9 | 6.3 | 0.0 | 0.0 |
| 225.0 | 78.7 | 68.7 | 57.5 | 45.8 | 34.8 | 24.0 | 13.9 | 4.7 | 0.0 | 0.0 |
| 270.0 | 78.7 | 68.7 | 57.5 | 45.8 | 34.8 | 24.0 | 13.9 | 4.7 | 0.0 | 0.0 |
| 315.0 | 58.8 | 48.6 | 38.2 | 28.8 | 19.7 | 11.2 | 4.6 | 0.0 | 0.0 | 0.0 |
| 360.0 | 58.8 | 48.6 | 38.2 | 28.8 | 19.7 | 11.2 | 4.6 | 0.0 | 0.0 | 0.0 |

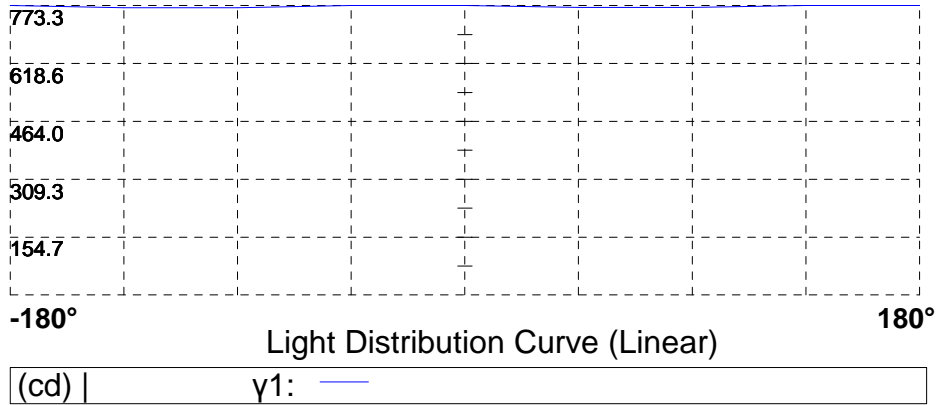
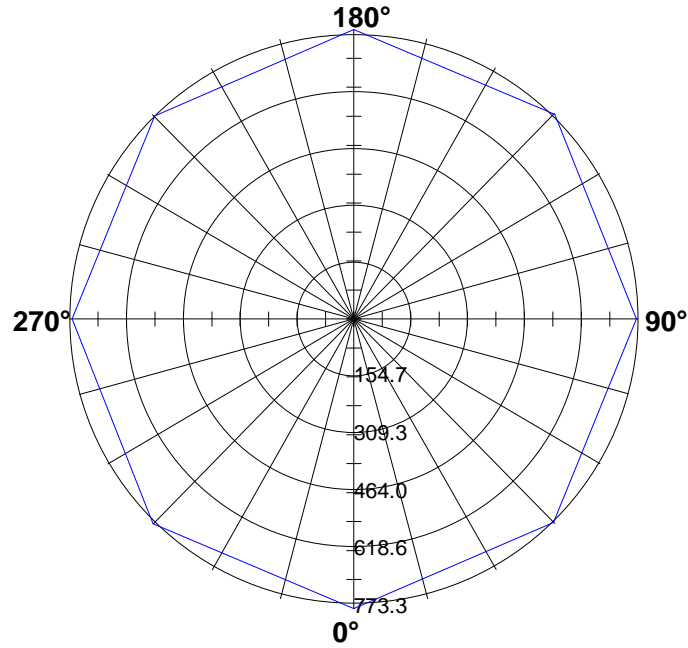
| C\G | 90.0 |
|-------|------|
| 0.0 | 0.0 |
| 45.0 | 0.0 |
| 90.0 | 0.0 |
| 135.0 | 0.0 |
| 180.0 | 0.0 |
| 225.0 | 0.0 |
| 270.0 | 0.0 |
| 315.0 | 0.0 |
| 360.0 | 0.0 |

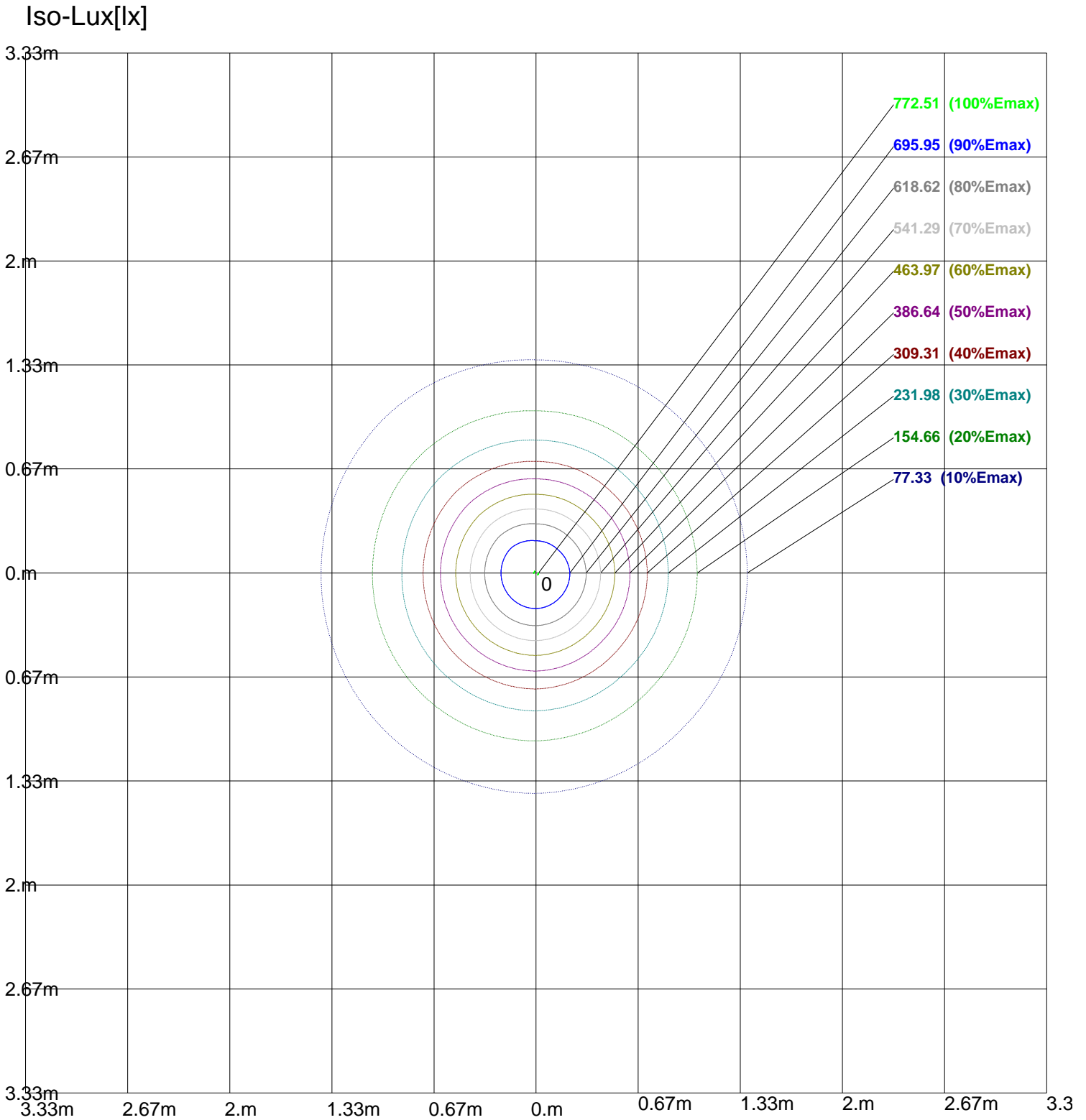
Light Distribution Curve [Unit: cd]

Luminaire



Max Plane Light Distribution Curve [Unit: cd]





Height: 1 m
Max Illuminance : 773.28lx

Luminance Limiting Curve

Diameter: 300mm

Length: mm

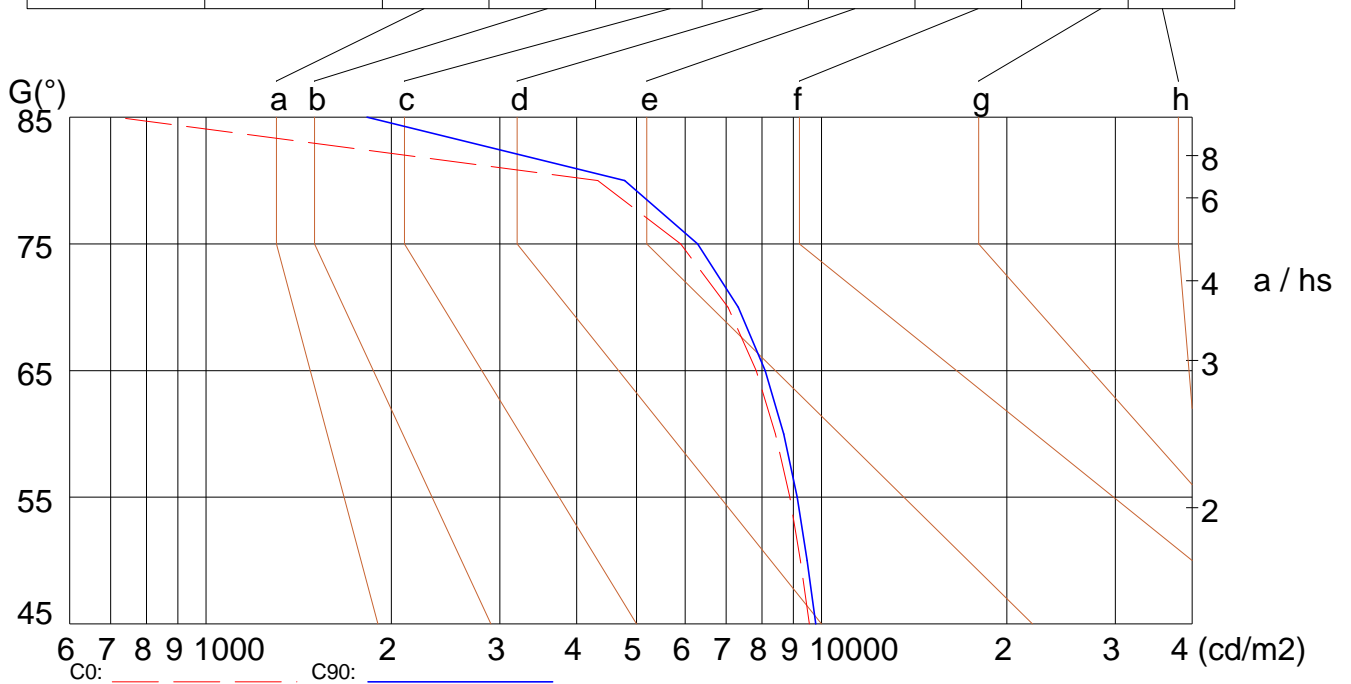
Width: 300mm

Height: 38mm

(cd/m²)

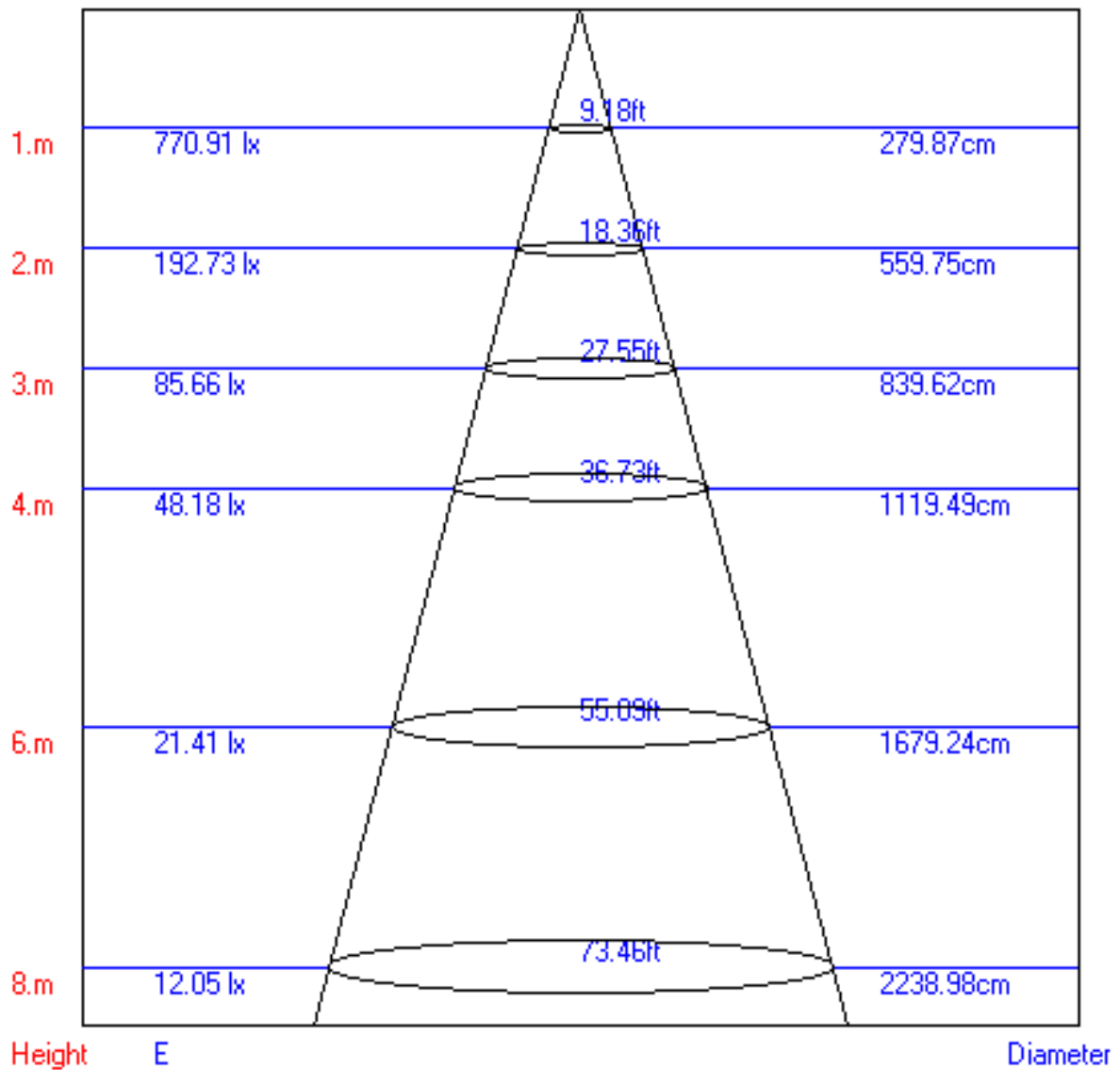
| γ | 45° | 50° | 55° | 60° | 65° | 70° | 75° | 80° | 85° |
|----------|------|------|------|------|------|------|------|------|------|
| C0 | 9550 | 9241 | 8881 | 8415 | 7829 | 7047 | 5901 | 4327 | 714 |
| C90 | 9786 | 9473 | 9121 | 8680 | 8093 | 7321 | 6286 | 4789 | 1825 |

| Glare | Quality | Service Values Illuminance (lx) | | | | | | | |
|-------|---------|---------------------------------|------|------|------|------|------|------|------|
| 1.15 | A | 2000 | 1000 | 500 | ≤300 | | | | |
| 1.5 | B | | 2000 | 1000 | 500 | ≤300 | | | |
| 1.85 | C | | | 2000 | 1000 | 500 | ≤300 | | |
| 2.2 | D | | | | 2000 | 1000 | 500 | ≤300 | |
| 2.55 | E | | | | | 2000 | 1000 | 500 | ≤300 |



Lum. Limiting Curve (C0/C90)

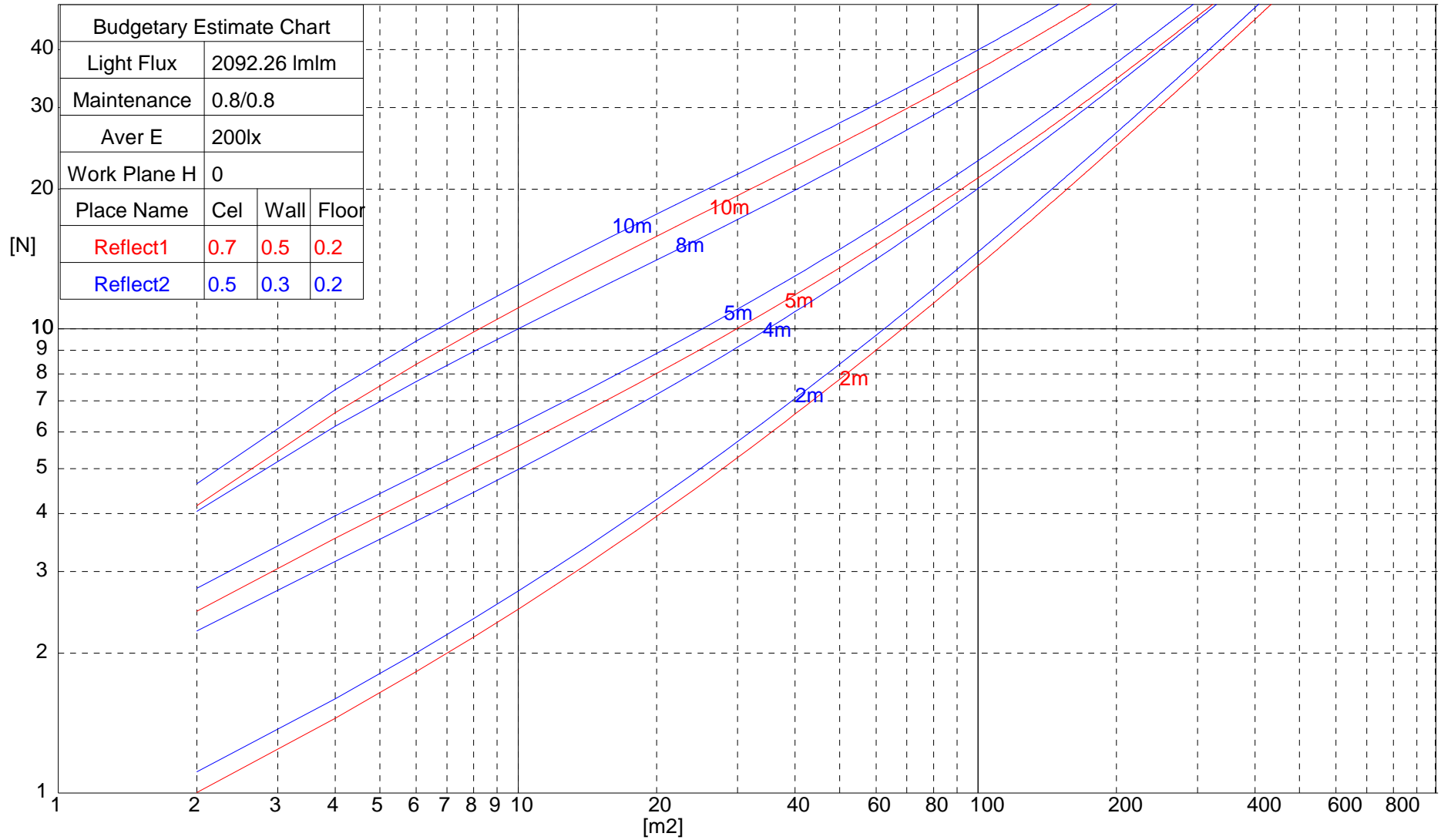
Lux-Distance Curve



Beam Angle:108.90°

Utilization Coefficient Table

| RHOCC | 80 | | | 70 | | | 50 | | | 30 | | | 10 | | | 0 |
|-------|--|------|------|------|------|------|------|------|------|------|------|------|------|------|------|------|
| RHOW | 50 | 30 | 10 | 50 | 30 | 10 | 50 | 30 | 10 | 50 | 30 | 10 | 50 | 30 | 10 | 0 |
| RRCR | COEFFICIENTS OF UTILIZATION FOR RHOFC=20 | | | | | | | | | | | | | | | |
| 0 | 1.19 | 1.19 | 1.19 | 1.16 | 1.16 | 1.16 | 1.11 | 1.11 | 1.11 | 1.06 | 1.06 | 1.06 | 1.02 | 1.02 | 1.02 | 1.00 |
| 1 | 1.05 | 1.03 | 1.02 | 1.04 | 1.02 | 1.00 | 1.00 | 0.98 | 0.96 | 0.95 | 0.93 | 0.91 | 0.89 | 0.87 | 0.84 | 0.79 |
| 2 | 0.90 | 0.87 | 0.85 | 0.89 | 0.86 | 0.84 | 0.87 | 0.83 | 0.80 | 0.83 | 0.79 | 0.76 | 0.79 | 0.75 | 0.71 | 0.66 |
| 3 | 0.77 | 0.74 | 0.72 | 0.77 | 0.73 | 0.71 | 0.75 | 0.71 | 0.68 | 0.73 | 0.68 | 0.64 | 0.70 | 0.65 | 0.60 | 0.56 |
| 4 | 0.66 | 0.64 | 0.62 | 0.67 | 0.63 | 0.60 | 0.66 | 0.62 | 0.58 | 0.65 | 0.60 | 0.55 | 0.63 | 0.57 | 0.52 | 0.48 |
| 5 | 0.58 | 0.55 | 0.53 | 0.59 | 0.55 | 0.52 | 0.59 | 0.54 | 0.50 | 0.58 | 0.52 | 0.48 | 0.57 | 0.50 | 0.45 | 0.42 |
| 6 | 0.51 | 0.48 | 0.47 | 0.52 | 0.48 | 0.46 | 0.53 | 0.48 | 0.44 | 0.52 | 0.47 | 0.42 | 0.52 | 0.45 | 0.40 | 0.36 |
| 7 | 0.46 | 0.43 | 0.41 | 0.46 | 0.43 | 0.41 | 0.47 | 0.42 | 0.39 | 0.48 | 0.42 | 0.37 | 0.47 | 0.41 | 0.35 | 0.32 |
| 8 | 0.41 | 0.38 | 0.37 | 0.42 | 0.38 | 0.36 | 0.43 | 0.38 | 0.35 | 0.44 | 0.38 | 0.33 | 0.44 | 0.37 | 0.32 | 0.29 |
| 9 | 0.37 | 0.35 | 0.33 | 0.38 | 0.35 | 0.33 | 0.39 | 0.35 | 0.31 | 0.40 | 0.34 | 0.30 | 0.40 | 0.34 | 0.29 | 0.26 |
| 10 | 0.34 | 0.32 | 0.30 | 0.35 | 0.32 | 0.30 | 0.36 | 0.32 | 0.29 | 0.37 | 0.31 | 0.27 | 0.38 | 0.31 | 0.26 | 0.23 |



UGR Glare Index

| Ceiling | | 70 | 70 | 50 | 50 | 30 | 70 | 70 | 50 | 50 | 30 |
|-----------------------|-----|---|------|------|------|------|--|------|------|------|------|
| Wall | | 50 | 30 | 50 | 30 | 30 | 50 | 30 | 50 | 30 | 30 |
| Floor | | 20 | 20 | 20 | 20 | 20 | 20 | 20 | 20 | 20 | 20 |
| Room Size X Y | | Weft to light axis direction of observation | | | | | Direction of light axis parallel observation | | | | |
| 2H | 2H | 14.7 | 16.0 | 14.9 | 15.9 | 16.5 | 14.7 | 15.9 | 14.8 | 16.0 | 16.5 |
| | 3H | 16.3 | 17.4 | 16.7 | 17.9 | 17.9 | 16.2 | 17.4 | 16.4 | 17.8 | 18.0 |
| | 4H | 16.9 | 18.1 | 17.4 | 18.7 | 18.8 | 16.9 | 18.1 | 17.3 | 18.5 | 18.8 |
| | 6H | 17.6 | 18.5 | 18.0 | 18.9 | 18.9 | 17.4 | 18.3 | 17.8 | 18.9 | 19.0 |
| | 8H | 17.8 | 18.9 | 18.1 | 19.0 | 19.3 | 17.7 | 18.7 | 17.9 | 19.0 | 19.3 |
| 4H | 12H | 17.9 | 18.8 | 18.1 | 19.2 | 19.5 | 17.7 | 18.7 | 18.1 | 19.2 | 19.6 |
| | 2H | 15.7 | 16.6 | 15.9 | 16.8 | 17.0 | 15.6 | 16.6 | 15.8 | 16.9 | 17.0 |
| | 3H | 17.5 | 18.4 | 17.7 | 18.4 | 18.8 | 17.3 | 18.2 | 17.6 | 18.3 | 18.7 |
| | 4H | 18.3 | 18.9 | 18.5 | 19.1 | 19.5 | 18.0 | 18.9 | 18.4 | 19.1 | 19.6 |
| | 6H | 18.8 | 19.5 | 19.1 | 19.8 | 20.2 | 18.7 | 19.5 | 18.9 | 19.7 | 20.0 |
| 8H | 8H | 19.0 | 19.7 | 19.4 | 20.0 | 20.3 | 19.0 | 19.5 | 19.3 | 20.0 | 20.3 |
| | 12H | 19.2 | 19.8 | 19.7 | 20.0 | 20.5 | 19.1 | 19.8 | 19.5 | 20.1 | 20.5 |
| | 4H | 18.5 | 19.2 | 18.8 | 19.4 | 19.8 | 18.5 | 19.1 | 18.7 | 19.4 | 19.8 |
| | 6H | 19.3 | 19.8 | 19.8 | 20.2 | 20.6 | 19.2 | 19.7 | 19.6 | 20.2 | 20.5 |
| | 8H | 19.8 | 20.2 | 20.2 | 20.5 | 20.9 | 19.6 | 20.0 | 20.1 | 20.4 | 21.0 |
| 12H | 12H | 20.0 | 20.4 | 20.4 | 20.9 | 21.1 | 19.8 | 20.3 | 20.3 | 20.8 | 21.2 |
| | 4H | 18.6 | 19.2 | 19.1 | 19.6 | 19.8 | 18.5 | 19.0 | 18.9 | 19.4 | 19.8 |
| | 6H | 19.5 | 20.0 | 19.9 | 20.2 | 20.7 | 19.4 | 19.9 | 19.8 | 20.2 | 20.6 |
| | 8H | 19.9 | 20.3 | 20.4 | 20.5 | 21.1 | 19.8 | 20.2 | 20.3 | 20.6 | 21.0 |
| | | | | | | | | | | | |
| | | | | | | | | | | | |