

Luminaire Property

Luminaire: RH-RPL22 22W 3000K

Report NO.:

Test NO.: HLB210908

Lamp:

Sum Lumens: 2515.46 lm

Number of Lamps: 1

Diameter: 225mm

Length: mm

Photometric Type: Type C

Voltage: 230.6 V

Current: 0.104 A

Power: 23.2 W

Power Factor: 0.967

Ballast Type: DL-30H-C600-LAC 600.mA

Width: 225mm

Height: 25mm

Remark: 0.5W SMD2835 12C9B

Photometric Results

Lumens: 2515.46 lm

Efficiency: 108.425 lm/W

Central Intensity: 923.318cd

Maximum Intensity: 923.732cd

Angle of maximum intensity: C:135.0 G:1.0

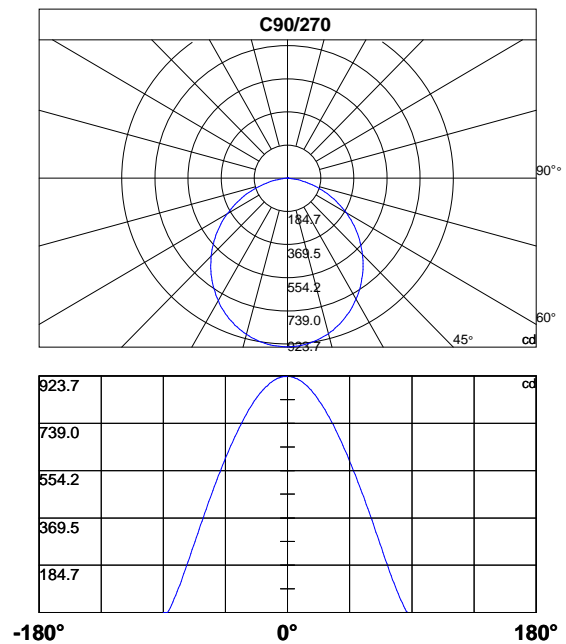
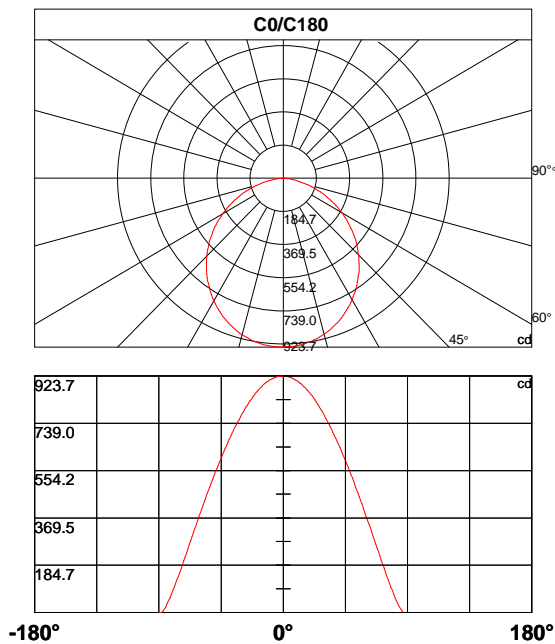
Half Peak Side Angle(50%): Left: -55.3 Right:54.2

Light Out Rate(LOR) : 100.00%

Up Flux Rate: 0.0%

Down Flux Rate: 100.0%

Beam Angle(10%): Left: -79.4 Right:78.4



Photometric Data Table [cd]

C\G	0.0	1.0	2.0	3.0	4.0	5.0	6.0	7.0	8.0	9.0
0.0	923.3	923.2	922.6	922.0	920.5	919.2	916.7	914.1	911.7	908.0
45.0	923.3	921.8	921.3	919.9	918.7	916.8	914.4	912.2	909.8	905.9
90.0	923.3	921.8	921.3	919.9	918.7	916.8	914.4	912.2	909.8	905.9
135.0	923.3	923.7	923.2	922.5	921.2	920.1	918.0	915.9	912.9	910.3
180.0	923.3	923.7	923.2	922.5	921.2	920.1	918.0	915.9	912.9	910.3
225.0	923.3	922.2	921.7	921.1	919.7	918.8	917.1	914.9	912.4	909.2
270.0	923.3	922.2	921.7	921.1	919.7	918.8	917.1	914.9	912.4	909.2
315.0	923.3	923.2	922.6	922.0	920.5	919.2	916.7	914.1	911.7	908.0
360.0	923.3	923.2	922.6	922.0	920.5	919.2	916.7	914.1	911.7	908.0

C\G	10.0	11.0	12.0	13.0	14.0	15.0	16.0	17.0	18.0	19.0
0.0	905.2	901.0	897.3	892.3	887.2	882.2	877.3	871.5	864.9	858.6
45.0	903.1	898.5	894.1	889.6	885.1	880.1	874.3	868.2	861.7	855.0
90.0	903.1	898.5	894.1	889.6	885.1	880.1	874.3	868.2	861.7	855.0
135.0	907.8	903.4	899.7	895.0	891.2	885.9	880.6	875.3	868.5	862.4
180.0	907.8	903.4	899.7	895.0	891.2	885.9	880.6	875.3	868.5	862.4
225.0	906.6	902.6	898.8	894.8	889.0	884.7	879.6	874.0	868.5	861.5
270.0	906.6	902.6	898.8	894.8	889.0	884.7	879.6	874.0	868.5	861.5
315.0	905.2	901.0	897.3	892.3	887.2	882.2	877.3	871.5	864.9	858.6
360.0	905.2	901.0	897.3	892.3	887.2	882.2	877.3	871.5	864.9	858.6

C\G	20.0	21.0	22.0	23.0	24.0	25.0	26.0	27.0	28.0	29.0
0.0	851.6	845.2	837.3	829.9	821.0	813.1	804.0	795.1	786.8	777.0
45.0	849.5	841.8	833.3	825.5	817.1	810.2	801.4	792.3	782.7	772.9
90.0	849.5	841.8	833.3	825.5	817.1	810.2	801.4	792.3	782.7	772.9
135.0	856.8	849.3	842.1	834.3	826.7	818.3	810.8	802.2	792.4	783.0
180.0	856.8	849.3	842.1	834.3	826.7	818.3	810.8	802.2	792.4	783.0
225.0	855.8	847.5	841.6	834.3	826.0	817.8	809.0	801.4	792.4	782.6
270.0	855.8	847.5	841.6	834.3	826.0	817.8	809.0	801.4	792.4	782.6
315.0	851.6	845.2	837.3	829.9	821.0	813.1	804.0	795.1	786.8	777.0
360.0	851.6	845.2	837.3	829.9	821.0	813.1	804.0	795.1	786.8	777.0

C\G	30.0	31.0	32.0	33.0	34.0	35.0	36.0	37.0	38.0	39.0
0.0	767.6	756.7	746.8	737.6	726.0	715.5	703.5	691.9	679.7	669.2
45.0	763.7	754.0	744.4	733.3	722.4	711.5	699.3	687.9	677.7	665.5
90.0	763.7	754.0	744.4	733.3	722.4	711.5	699.3	687.9	677.7	665.5
135.0	773.4	764.4	753.2	744.2	733.1	722.4	711.0	701.5	689.1	677.6
180.0	773.4	764.4	753.2	744.2	733.1	722.4	711.0	701.5	689.1	677.6
225.0	773.0	763.0	752.6	742.3	732.7	722.1	710.5	698.8	687.0	676.5
270.0	773.0	763.0	752.6	742.3	732.7	722.1	710.5	698.8	687.0	676.5
315.0	767.6	756.7	746.8	737.6	726.0	715.5	703.5	691.9	679.7	669.2
360.0	767.6	756.7	746.8	737.6	726.0	715.5	703.5	691.9	679.7	669.2

Photometric Data Table [cd]

C\G	40.0	41.0	42.0	43.0	44.0	45.0	46.0	47.0	48.0	49.0
0.0	657.5	644.7	631.7	618.5	605.2	594.4	580.1	566.8	552.3	538.4
45.0	653.4	640.6	630.0	617.0	603.7	590.5	576.7	563.4	549.6	537.0
90.0	653.4	640.6	630.0	617.0	603.7	590.5	576.7	563.4	549.6	537.0
135.0	665.4	652.3	640.3	627.2	616.4	602.9	589.1	575.9	562.0	550.3
180.0	665.4	652.3	640.3	627.2	616.4	602.9	589.1	575.9	562.0	550.3
225.0	664.3	652.6	639.7	627.0	613.8	602.6	588.7	575.2	561.6	547.5
270.0	664.3	652.6	639.7	627.0	613.8	602.6	588.7	575.2	561.6	547.5
315.0	657.5	644.7	631.7	618.5	605.2	594.4	580.1	566.8	552.3	538.4
360.0	657.5	644.7	631.7	618.5	605.2	594.4	580.1	566.8	552.3	538.4

C\G	50.0	51.0	52.0	53.0	54.0	55.0	56.0	57.0	58.0	59.0
0.0	526.3	511.4	497.1	481.9	467.0	452.1	438.6	423.4	407.4	391.8
45.0	523.3	508.5	494.5	479.5	466.6	452.2	436.8	421.8	406.0	392.4
90.0	523.3	508.5	494.5	479.5	466.6	452.2	436.8	421.8	406.0	392.4
135.0	536.1	521.2	507.3	492.2	479.8	464.6	449.7	435.0	419.3	404.2
180.0	536.1	521.2	507.3	492.2	479.8	464.6	449.7	435.0	419.3	404.2
225.0	535.2	520.6	506.3	491.8	476.2	462.0	448.4	433.3	418.1	402.1
270.0	535.2	520.6	506.3	491.8	476.2	462.0	448.4	433.3	418.1	402.1
315.0	526.3	511.4	497.1	481.9	467.0	452.1	438.6	423.4	407.4	391.8
360.0	526.3	511.4	497.1	481.9	467.0	452.1	438.6	423.4	407.4	391.8

C\G	60.0	61.0	62.0	63.0	64.0	65.0	66.0	67.0	68.0	69.0
0.0	376.7	360.1	346.7	330.6	314.7	298.5	281.6	266.1	251.5	235.5
45.0	377.3	361.3	345.7	329.7	313.8	298.1	284.0	267.5	251.8	235.5
90.0	377.3	361.3	345.7	329.7	313.8	298.1	284.0	267.5	251.8	235.5
135.0	390.6	374.5	359.2	342.6	327.5	311.0	297.6	281.1	265.0	249.1
180.0	390.6	374.5	359.2	342.6	327.5	311.0	297.6	281.1	265.0	249.1
225.0	386.8	370.5	356.7	341.5	325.0	309.3	292.3	276.6	262.3	246.2
270.0	386.8	370.5	356.7	341.5	325.0	309.3	292.3	276.6	262.3	246.2
315.0	376.7	360.1	346.7	330.6	314.7	298.5	281.6	266.1	251.5	235.5
360.0	376.7	360.1	346.7	330.6	314.7	298.5	281.6	266.1	251.5	235.5

C\G	70.0	71.0	72.0	73.0	74.0	75.0	76.0	77.0	78.0	79.0
0.0	219.6	202.9	187.5	173.7	158.0	142.8	127.3	112.4	97.3	85.7
45.0	219.6	205.3	190.2	174.1	158.4	143.2	127.8	115.4	101.0	87.1
90.0	219.6	205.3	190.2	174.1	158.4	143.2	127.8	115.4	101.0	87.1
135.0	232.2	216.6	202.6	187.1	171.1	155.3	139.9	127.1	111.8	97.4
180.0	232.2	216.6	202.6	187.1	171.1	155.3	139.9	127.1	111.8	97.4
225.0	229.8	213.8	197.5	184.0	168.0	152.6	137.0	122.0	107.1	95.1
270.0	229.8	213.8	197.5	184.0	168.0	152.6	137.0	122.0	107.1	95.1
315.0	219.6	202.9	187.5	173.7	158.0	142.8	127.3	112.4	97.3	85.7
360.0	219.6	202.9	187.5	173.7	158.0	142.8	127.3	112.4	97.3	85.7

Photometric Data Table [cd]

C\G	80.0	81.0	82.0	83.0	84.0	85.0	86.0	87.0	88.0	89.0
0.0	72.0	58.6	46.5	34.4	24.0	15.0	6.1	0.0	0.0	0.0
45.0	73.7	60.3	48.6	37.2	25.5	14.5	4.8	0.0	0.0	0.0
90.0	73.7	60.3	48.6	37.2	25.5	14.5	4.8	0.0	0.0	0.0
135.0	83.2	69.9	56.5	45.9	34.6	22.6	12.8	4.6	0.0	0.0
180.0	83.2	69.9	56.5	45.9	34.6	22.6	12.8	4.6	0.0	0.0
225.0	81.1	67.8	54.5	41.6	29.5	19.2	7.4	0.0	0.0	0.0
270.0	81.1	67.8	54.5	41.6	29.5	19.2	7.4	0.0	0.0	0.0
315.0	72.0	58.6	46.5	34.4	24.0	15.0	6.1	0.0	0.0	0.0
360.0	72.0	58.6	46.5	34.4	24.0	15.0	6.1	0.0	0.0	0.0

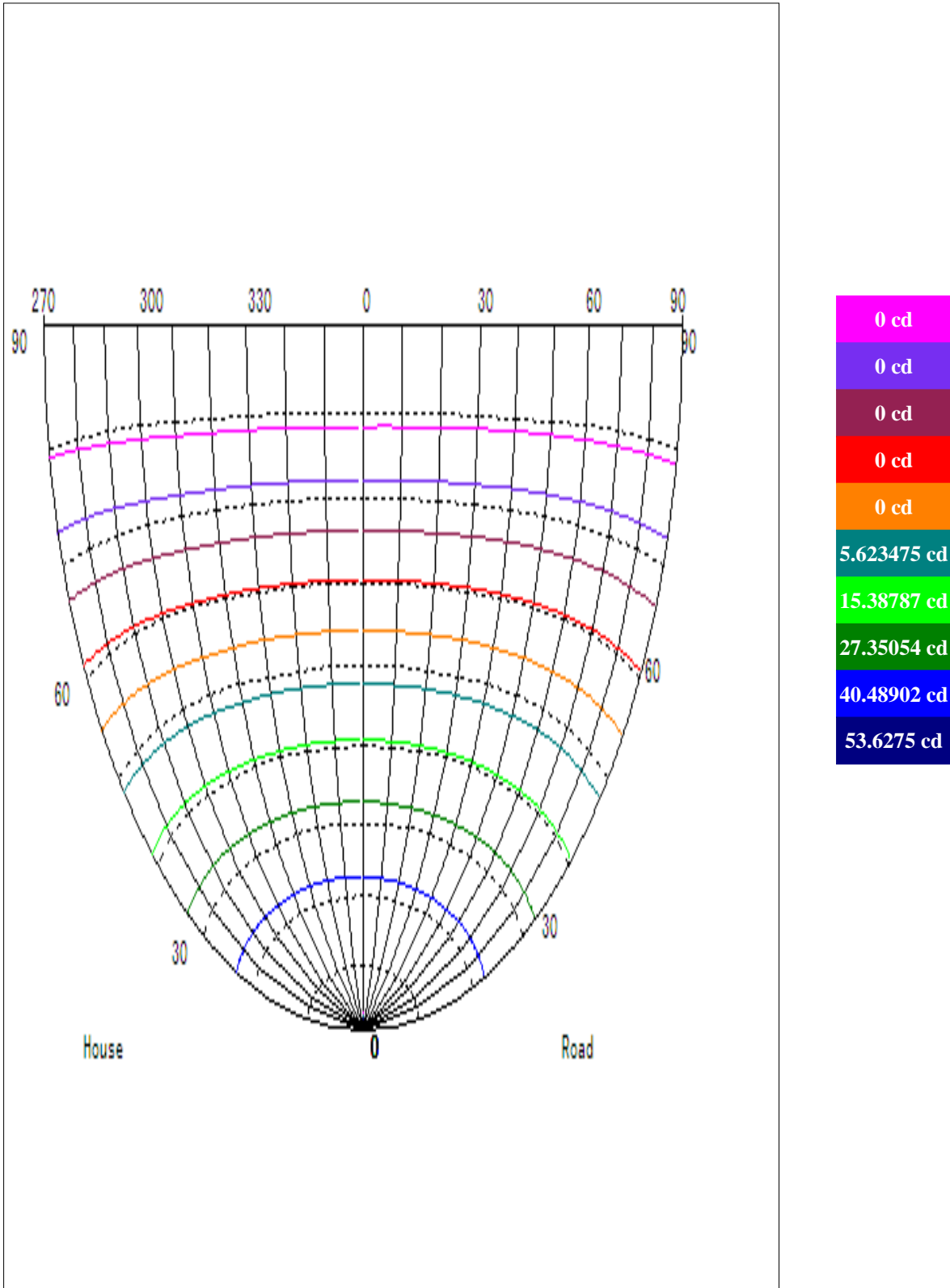
C\G	90.0
0.0	0.0
45.0	0.0
90.0	0.0
135.0	0.0
180.0	0.0
225.0	0.0
270.0	0.0
315.0	0.0
360.0	0.0

Zonal Flux Distribution

Gamma [°]	lmean [cd]	Zonal Flux [lm]	Sum Flux [lm]	Zonal Flux [%]	Sum Flux [%]
0	923.32	0.00	0.00	0.00	0.00
1	922.74	0.88	0.88	0.04	0.04
2	922.19	2.65	3.53	0.11	0.14
3	921.37	4.41	7.94	0.18	0.32
4	920.03	6.16	14.10	0.25	0.56
5	918.72	7.91	22.01	0.31	0.88
6	916.55	9.64	31.66	0.38	1.26
7	914.26	11.36	43.02	0.45	1.71
8	911.71	13.07	56.09	0.52	2.23
9	908.34	14.75	70.84	0.59	2.82
10	905.69	16.42	87.26	0.65	3.47
11	901.38	18.06	105.31	0.72	4.19
12	897.46	19.66	124.98	0.78	4.97
13	892.94	21.25	146.23	0.84	5.81
14	888.10	22.80	169.02	0.91	6.72
15	883.23	24.32	193.34	0.97	7.69
16	877.95	25.81	219.15	1.03	8.71
17	872.25	27.26	246.40	1.08	9.80
18	865.90	28.66	275.06	1.14	10.93
19	859.37	30.02	305.08	1.19	12.13
20	853.43	31.35	336.43	1.25	13.37
21	845.95	32.63	369.06	1.30	14.67
22	838.60	33.85	402.91	1.35	16.02
23	831.01	35.03	437.94	1.39	17.41
24	822.71	36.16	474.10	1.44	18.85
25	814.84	37.23	511.33	1.48	20.33
26	806.28	38.27	549.60	1.52	21.85
27	797.73	39.24	588.84	1.56	23.41
28	788.59	40.16	629.00	1.60	25.01
29	778.89	41.01	670.01	1.63	26.64
30	769.42	41.80	711.82	1.66	28.30
31	759.53	42.55	754.37	1.69	29.99
32	749.25	43.22	797.59	1.72	31.71
33	739.37	43.86	841.45	1.74	33.45
34	728.56	44.42	885.87	1.77	35.22
35	717.86	44.92	930.79	1.79	37.00
36	706.05	45.34	976.13	1.80	38.81
37	695.02	45.70	1021.82	1.82	40.62
38	683.38	46.01	1067.83	1.83	42.45
39	672.20	46.27	1114.10	1.84	44.29
40	660.17	46.47	1160.57	1.85	46.14

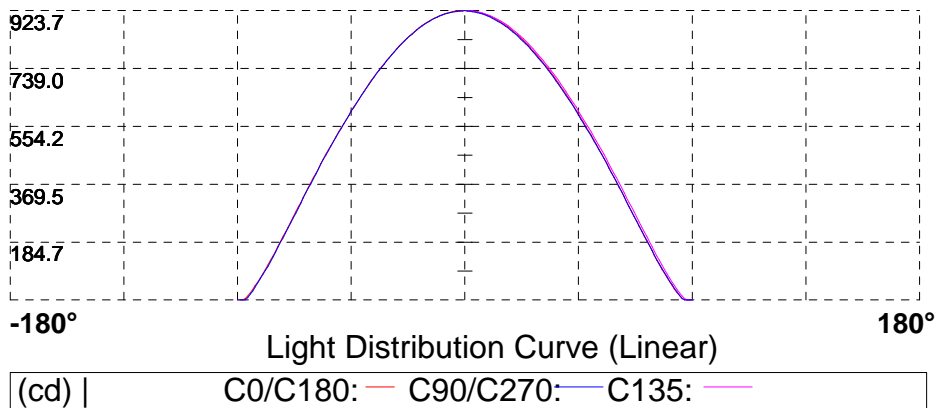
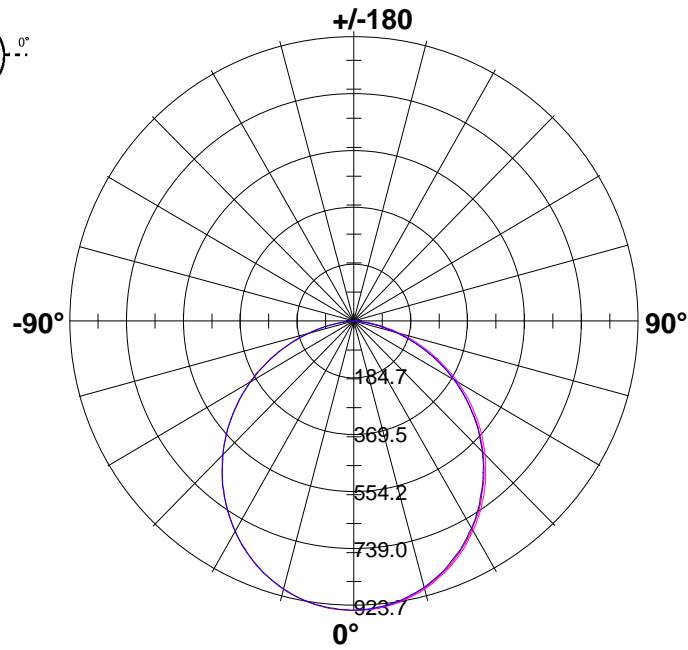
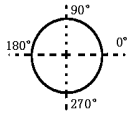
Zonal Flux Distribution

Gamma [°]	lmean [cd]	Zonal Flux [lm]	Sum Flux [lm]	Zonal Flux [%]	Sum Flux [%]
41	647.53	46.57	1207.14	1.85	47.99
42	635.43	46.61	1253.75	1.85	49.84
43	622.44	46.60	1300.34	1.85	51.69
44	609.75	46.51	1346.85	1.85	53.54
45	597.60	46.40	1393.25	1.84	55.39
46	583.64	46.20	1439.45	1.84	57.22
47	570.35	45.90	1485.34	1.82	59.05
48	556.40	45.55	1530.89	1.81	60.86
49	543.30	45.16	1576.05	1.80	62.65
50	530.20	44.76	1620.81	1.78	64.43
51	515.42	44.24	1665.05	1.76	66.19
52	501.27	43.63	1708.68	1.73	67.93
53	486.35	42.96	1751.64	1.71	69.63
54	472.40	42.26	1793.90	1.68	71.31
55	457.71	41.52	1835.41	1.65	72.97
56	443.40	40.72	1876.13	1.62	74.58
57	428.37	39.86	1915.99	1.58	76.17
58	412.69	38.89	1954.88	1.55	77.71
59	397.62	37.88	1992.77	1.51	79.22
60	382.86	36.87	2029.64	1.47	80.69
61	366.60	35.77	2065.40	1.42	82.11
62	352.09	34.63	2100.04	1.38	83.49
63	336.12	33.47	2133.51	1.33	84.82
64	320.26	32.21	2165.72	1.28	86.10
65	304.23	30.91	2196.62	1.23	87.32
66	288.88	29.59	2226.21	1.18	88.50
67	272.82	28.24	2254.46	1.12	89.62
68	257.66	26.87	2281.33	1.07	90.69
69	241.58	25.47	2306.80	1.01	91.70
70	225.32	23.98	2330.78	0.95	92.66
71	209.65	22.48	2353.26	0.89	93.55
72	194.46	21.01	2374.27	0.84	94.39
73	179.72	19.57	2393.84	0.78	95.16
74	163.87	18.06	2411.90	0.72	95.88
75	148.47	16.50	2428.40	0.66	96.54
76	133.01	14.94	2443.35	0.59	97.13
77	119.23	13.45	2456.79	0.53	97.67
78	104.30	11.97	2468.76	0.48	98.14
79	91.36	10.51	2479.27	0.42	98.56
80	77.50	9.10	2488.38	0.36	98.92
81	64.15	7.66	2496.04	0.30	99.23

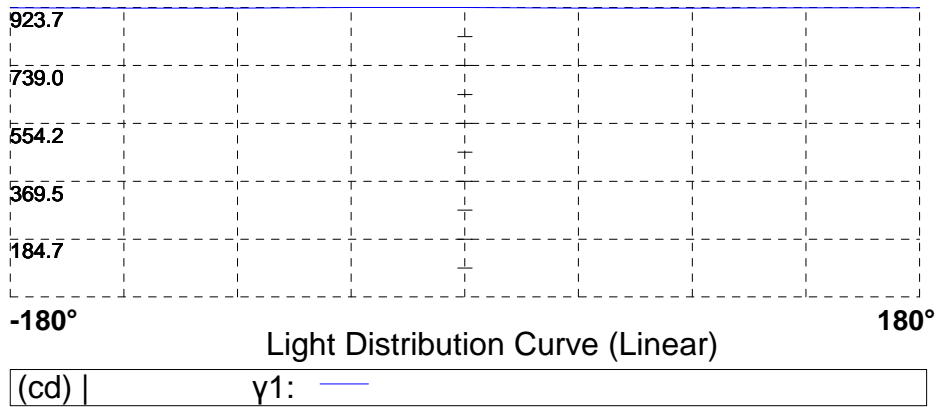
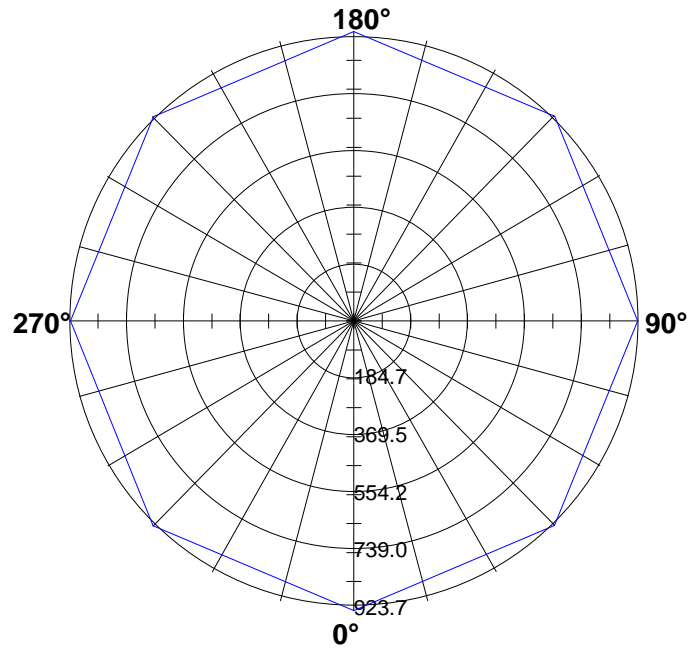


Light Distribution Curve [Unit: cd]

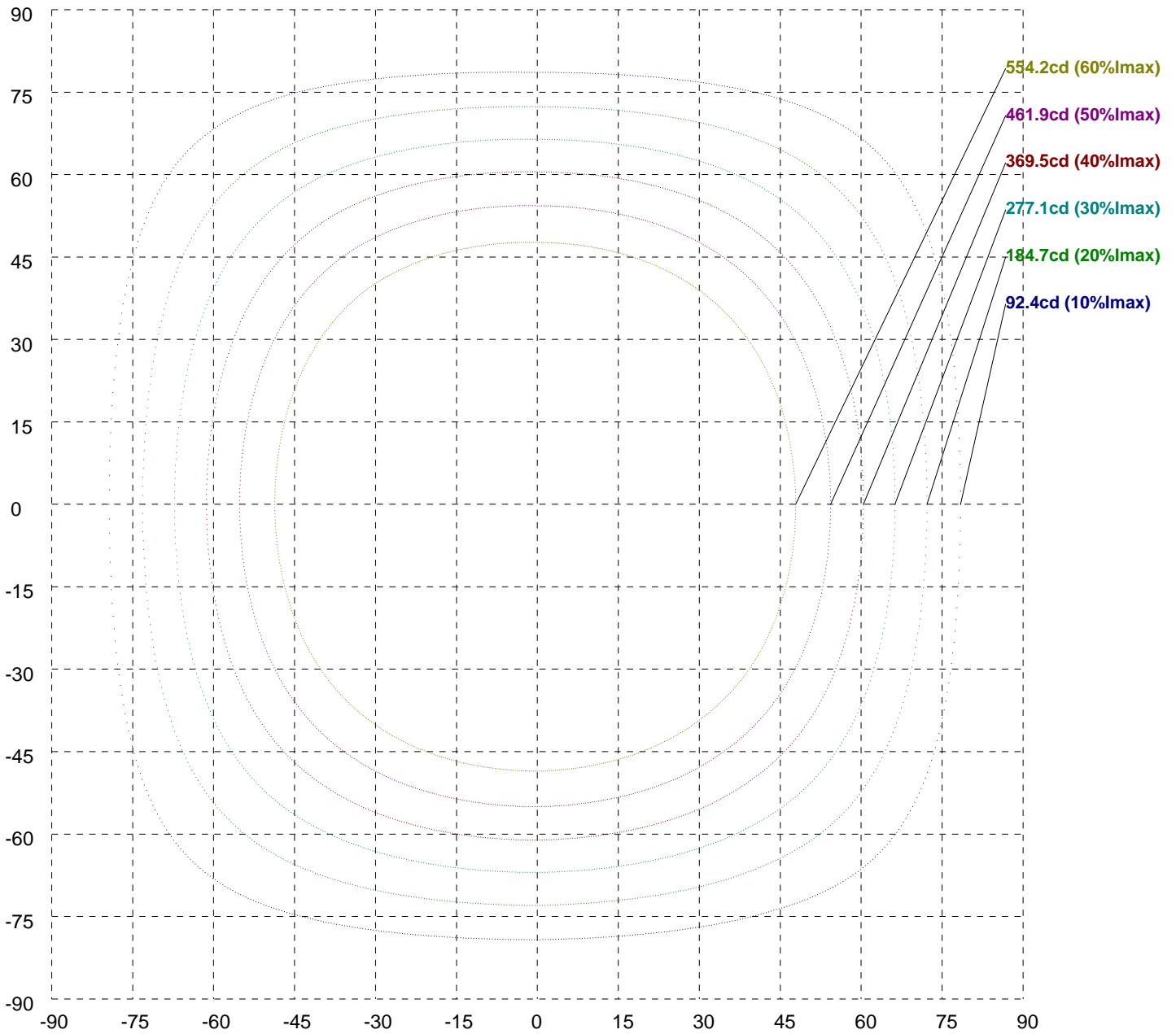
Luminaire



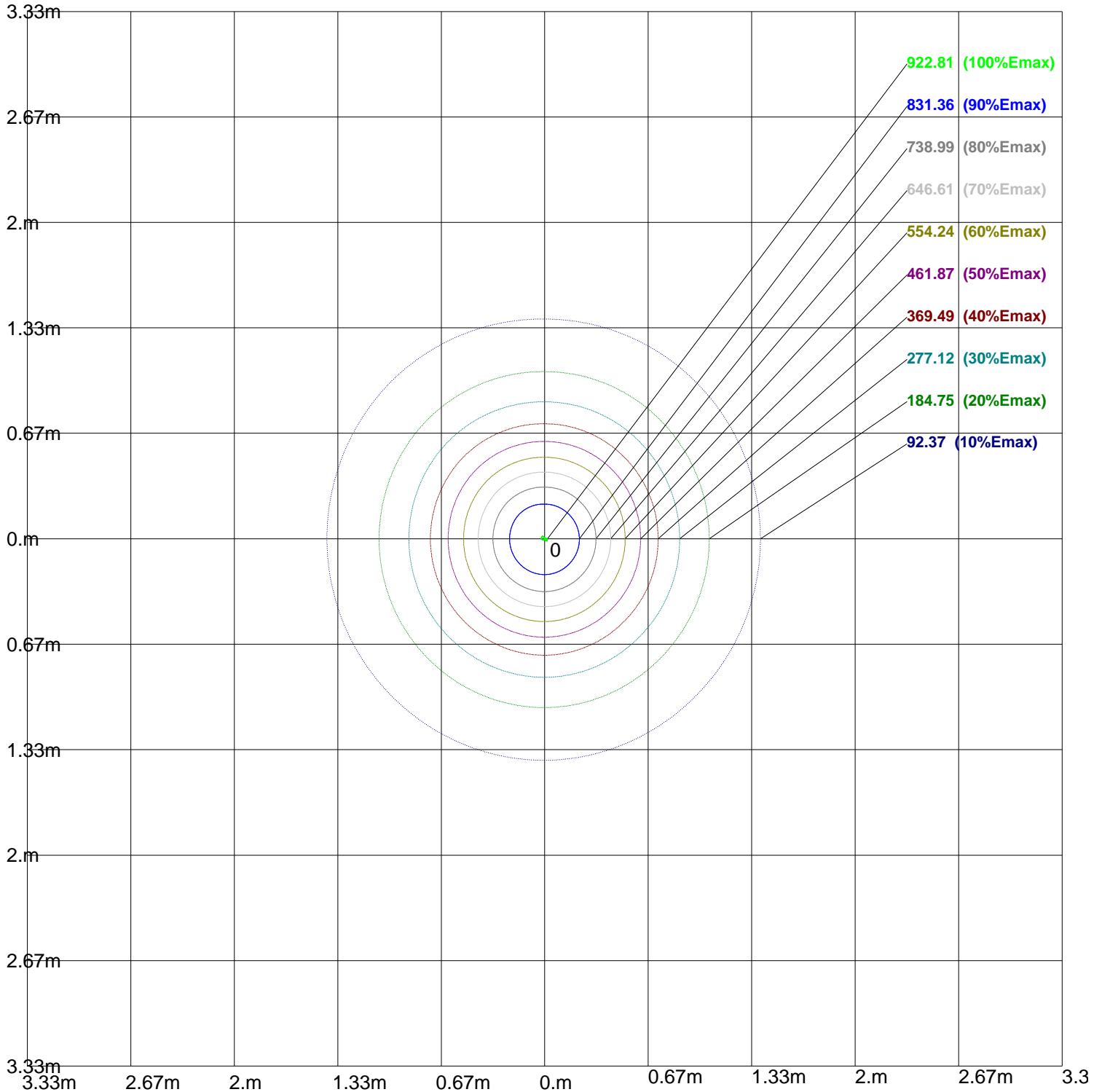
Max Plane Light Distribution Curve [Unit: cd]



等光强曲线 V-H [cd]



Iso-Lux[lx]



Height: 1 m
Max Illuminance : 923.73lx

Luminance Limiting Curve

Diameter: 225mm

Length: mm

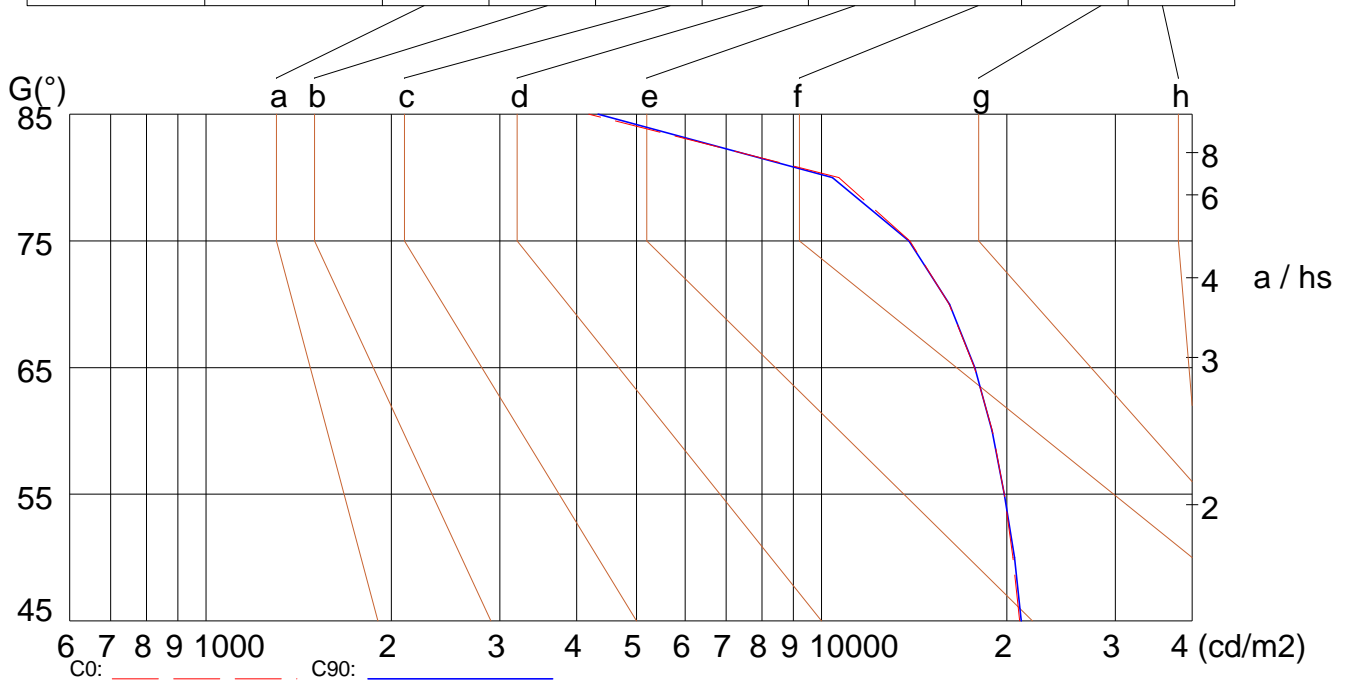
Width: 225mm

Height: 25mm

(cd/m²)

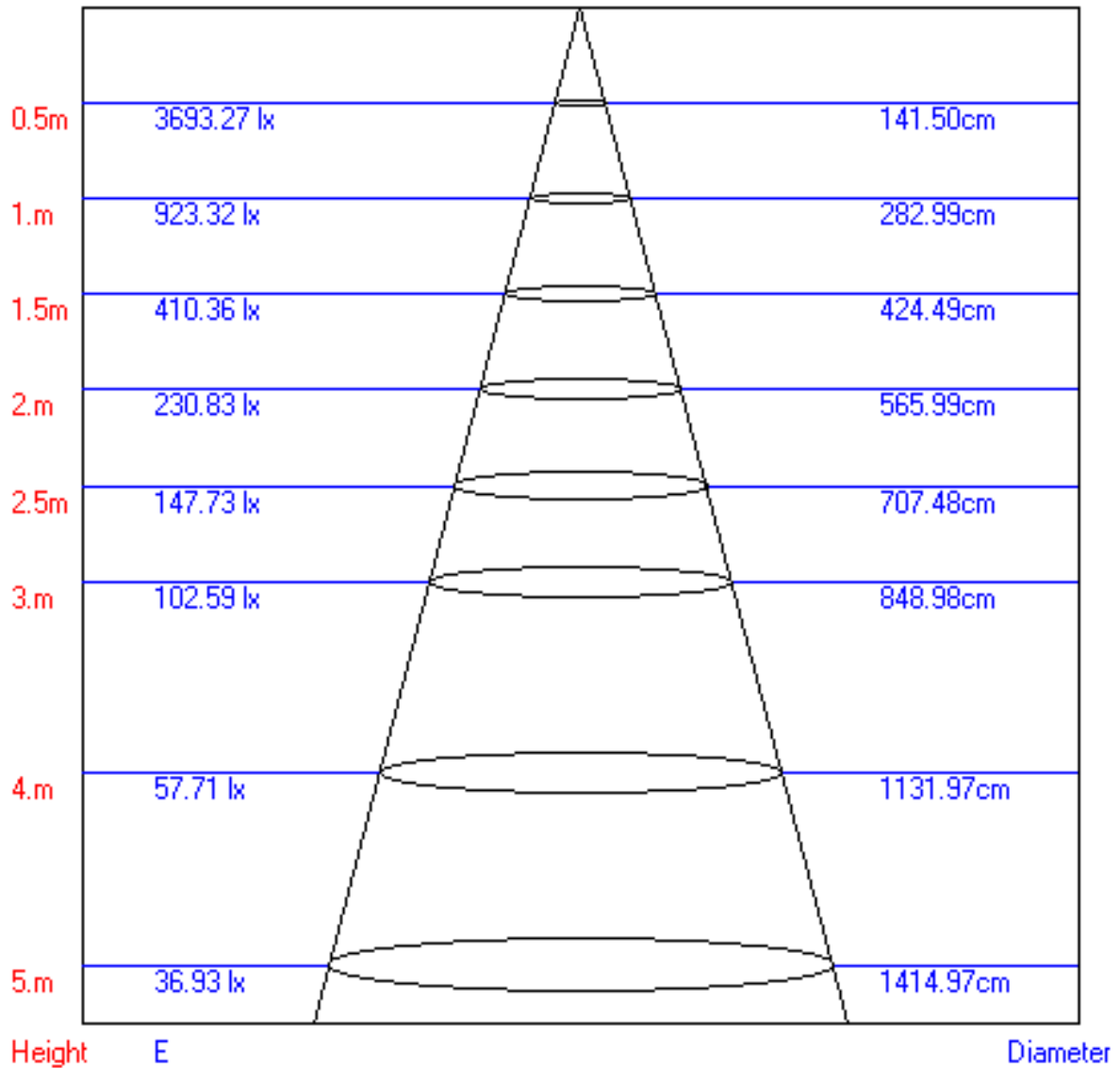
γ	45°	50°	55°	60°	65°	70°	75°	80°	85°
C0	20983	20455	19808	18962	17725	16130	13906	10667	4186
C90	21119	20571	19803	18928	17744	16134	13861	10415	4333

Glare	Quality	Service Values Illuminance (lx)							
1.15	A	2000	1000	500	≤300				
1.5	B		2000	1000	500	≤300			
1.85	C			2000	1000	500	≤300		
2.2	D				2000	1000	500	≤300	
2.55	E					2000	1000	500	≤300



Lum. Limiting Curve (C0/C90)

Lux-Distance Curve



Beam Angle:109.50°

Utilization Coefficient Table

RHOCC	80			70			50			30			10			0
RHOW	50	30	10	50	30	10	50	30	10	50	30	10	50	30	10	0
RCR	COEFFICIENTS OF UTILIZATION FOR RHOFC=20															
0	1.19	1.19	1.19	1.16	1.16	1.16	1.11	1.11	1.11	1.06	1.06	1.06	1.02	1.02	1.02	1.00
1	1.05	1.03	1.02	1.04	1.02	1.00	1.00	0.98	0.96	0.95	0.93	0.91	0.89	0.87	0.84	0.79
2	0.90	0.87	0.85	0.89	0.86	0.84	0.87	0.83	0.80	0.83	0.79	0.76	0.79	0.75	0.71	0.66
3	0.77	0.74	0.72	0.77	0.73	0.71	0.75	0.71	0.68	0.73	0.68	0.64	0.70	0.65	0.60	0.56
4	0.66	0.63	0.62	0.67	0.63	0.60	0.66	0.62	0.58	0.65	0.59	0.55	0.63	0.57	0.52	0.48
5	0.58	0.55	0.53	0.59	0.55	0.52	0.59	0.54	0.50	0.58	0.52	0.48	0.57	0.50	0.45	0.41
6	0.51	0.48	0.47	0.52	0.48	0.46	0.53	0.48	0.44	0.52	0.46	0.42	0.52	0.45	0.40	0.36
7	0.46	0.43	0.41	0.46	0.43	0.41	0.47	0.42	0.39	0.48	0.42	0.37	0.47	0.41	0.35	0.32
8	0.41	0.38	0.37	0.42	0.38	0.36	0.43	0.38	0.35	0.44	0.38	0.33	0.44	0.37	0.32	0.29
9	0.37	0.35	0.33	0.38	0.35	0.33	0.39	0.35	0.31	0.40	0.34	0.30	0.40	0.34	0.29	0.26
10	0.34	0.31	0.30	0.35	0.32	0.30	0.36	0.32	0.28	0.37	0.31	0.27	0.38	0.31	0.26	0.23

