

Luminaire Property

Luminaire: RH-SOP12 12W 6500K

Report NO.:

Test NO.:

Lamp:

Sum Lumens: 800.88 lm

Number of Lamps: 1

Diameter: mm

Length: 155mm

Photometric Type: Type C

Voltage: 220.1 V

Current: 0.107 A

Power: 12.9 W

Power Factor: 0.55

Ballast Type:

Width: 155mm

Height: 50mm

Remark:

Photometric Results

Lumens: 800.88 lm

Efficiency: 62.0837 lm/W

Central Intensity: 237.708cd

Maximum Intensity: 239.202cd

Angle of maximum intensity: C:135.0 G:1.0

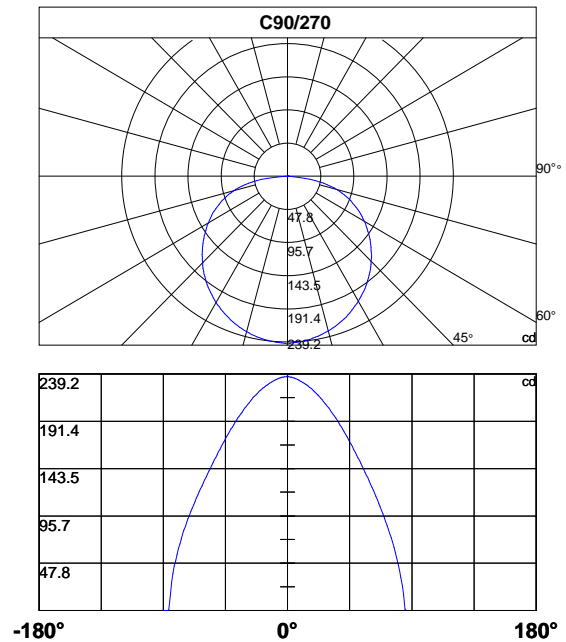
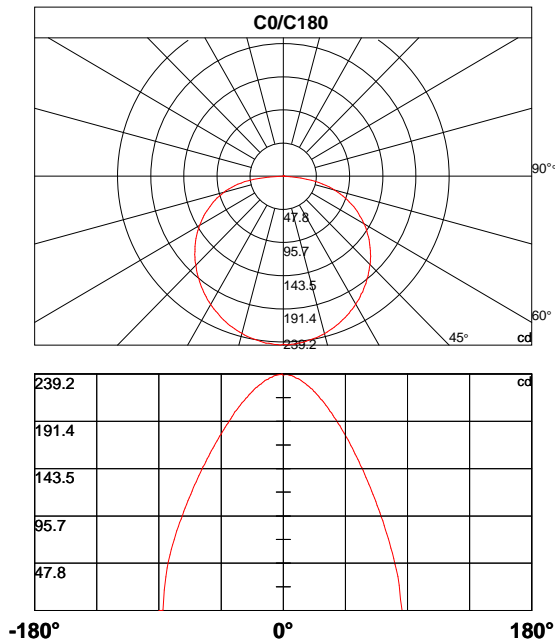
Half Peak Side Angle(50%): Left: -65.4 Right:65.4

Light Out Rate(LOR) : 100.00%

Up Flux Rate: 0.0%

Down Flux Rate: 100.0%

Beam Angle(10%): Left: -85.1 Right:84.8



Photometric Data Table [cd]

C\G	0.0	1.0	2.0	3.0	4.0	5.0	6.0	7.0	8.0	9.0
0.0	237.7	238.7	238.8	238.5	238.2	237.7	237.5	237.0	236.2	235.5
45.0	237.7	236.4	236.0	235.9	235.4	235.0	234.4	233.8	233.3	232.3
90.0	237.7	236.4	236.0	235.9	235.4	235.0	234.4	233.8	233.3	232.3
135.0	237.7	239.2	238.6	238.7	238.2	237.8	237.7	236.9	236.1	235.6
180.0	237.7	239.2	238.6	238.7	238.2	237.8	237.7	236.9	236.1	235.6
225.0	237.7	236.4	236.3	236.1	235.9	235.4	235.0	234.4	233.7	233.1
270.0	237.7	236.4	236.3	236.1	235.9	235.4	235.0	234.4	233.7	233.1
315.0	237.7	238.7	238.8	238.5	238.2	237.7	237.5	237.0	236.2	235.5
360.0	237.7	238.7	238.8	238.5	238.2	237.7	237.5	237.0	236.2	235.5

C\G	10.0	11.0	12.0	13.0	14.0	15.0	16.0	17.0	18.0	19.0
0.0	234.8	234.3	233.6	232.6	231.7	230.7	229.6	228.3	227.3	226.0
45.0	231.7	230.7	229.7	229.0	227.9	227.1	225.8	224.7	223.6	222.1
90.0	231.7	230.7	229.7	229.0	227.9	227.1	225.8	224.7	223.6	222.1
135.0	235.0	234.0	233.4	232.7	231.5	230.6	229.4	228.4	227.4	226.0
180.0	235.0	234.0	233.4	232.7	231.5	230.6	229.4	228.4	227.4	226.0
225.0	232.5	231.6	230.8	230.0	229.1	227.9	227.0	225.8	224.9	223.4
270.0	232.5	231.6	230.8	230.0	229.1	227.9	227.0	225.8	224.9	223.4
315.0	234.8	234.3	233.6	232.6	231.7	230.7	229.6	228.3	227.3	226.0
360.0	234.8	234.3	233.6	232.6	231.7	230.7	229.6	228.3	227.3	226.0

C\G	20.0	21.0	22.0	23.0	24.0	25.0	26.0	27.0	28.0	29.0
0.0	224.7	223.8	222.0	220.7	219.2	217.7	216.1	214.2	212.9	211.2
45.0	220.7	219.3	217.8	216.5	214.8	213.2	211.4	209.6	207.9	206.3
90.0	220.7	219.3	217.8	216.5	214.8	213.2	211.4	209.6	207.9	206.3
135.0	225.0	223.6	222.1	221.0	219.4	217.9	216.0	214.7	212.9	211.4
180.0	225.0	223.6	222.1	221.0	219.4	217.9	216.0	214.7	212.9	211.4
225.0	222.3	220.7	219.3	217.8	216.5	215.1	213.2	211.7	209.7	208.3
270.0	222.3	220.7	219.3	217.8	216.5	215.1	213.2	211.7	209.7	208.3
315.0	224.7	223.8	222.0	220.7	219.2	217.7	216.1	214.2	212.9	211.2
360.0	224.7	223.8	222.0	220.7	219.2	217.7	216.1	214.2	212.9	211.2

C\G	30.0	31.0	32.0	33.0	34.0	35.0	36.0	37.0	38.0	39.0
0.0	209.3	207.5	205.7	203.6	201.4	199.9	197.4	195.2	193.4	190.9
45.0	204.5	202.3	200.5	198.2	196.5	194.6	192.2	190.2	187.6	185.5
90.0	204.5	202.3	200.5	198.2	196.5	194.6	192.2	190.2	187.6	185.5
135.0	209.9	207.9	206.2	203.8	202.4	200.6	198.2	196.3	194.0	191.9
180.0	209.9	207.9	206.2	203.8	202.4	200.6	198.2	196.3	194.0	191.9
225.0	206.4	204.5	202.8	200.4	198.7	196.7	194.7	192.5	190.3	188.0
270.0	206.4	204.5	202.8	200.4	198.7	196.7	194.7	192.5	190.3	188.0
315.0	209.3	207.5	205.7	203.6	201.4	199.9	197.4	195.2	193.4	190.9
360.0	209.3	207.5	205.7	203.6	201.4	199.9	197.4	195.2	193.4	190.9

Photometric Data Table [cd]

C\G	40.0	41.0	42.0	43.0	44.0	45.0	46.0	47.0	48.0	49.0
0.0	188.7	186.8	184.2	181.9	179.3	177.2	174.6	172.1	169.6	166.8
45.0	183.0	180.6	178.4	175.7	173.2	170.5	168.1	165.7	162.7	160.0
90.0	183.0	180.6	178.4	175.7	173.2	170.5	168.1	165.7	162.7	160.0
135.0	189.4	187.7	185.4	183.0	180.9	178.4	176.4	173.8	171.5	169.0
180.0	189.4	187.7	185.4	183.0	180.9	178.4	176.4	173.8	171.5	169.0
225.0	185.5	183.7	181.1	178.7	176.2	173.5	170.9	168.3	165.9	162.9
270.0	185.5	183.7	181.1	178.7	176.2	173.5	170.9	168.3	165.9	162.9
315.0	188.7	186.8	184.2	181.9	179.3	177.2	174.6	172.1	169.6	166.8
360.0	188.7	186.8	184.2	181.9	179.3	177.2	174.6	172.1	169.6	166.8

C\G	50.0	51.0	52.0	53.0	54.0	55.0	56.0	57.0	58.0	59.0
0.0	164.3	161.3	158.4	156.0	153.0	150.2	146.8	144.1	141.1	137.9
45.0	157.0	154.3	151.8	148.8	146.0	142.9	139.9	137.0	134.2	131.3
90.0	157.0	154.3	151.8	148.8	146.0	142.9	139.9	137.0	134.2	131.3
135.0	166.4	164.1	161.4	159.0	156.1	153.6	150.6	147.7	145.4	142.4
180.0	166.4	164.1	161.4	159.0	156.1	153.6	150.6	147.7	145.4	142.4
225.0	160.5	157.4	154.8	152.2	149.2	146.6	143.4	140.7	138.0	135.2
270.0	160.5	157.4	154.8	152.2	149.2	146.6	143.4	140.7	138.0	135.2
315.0	164.3	161.3	158.4	156.0	153.0	150.2	146.8	144.1	141.1	137.9
360.0	164.3	161.3	158.4	156.0	153.0	150.2	146.8	144.1	141.1	137.9

C\G	60.0	61.0	62.0	63.0	64.0	65.0	66.0	67.0	68.0	69.0
0.0	134.7	131.1	127.9	124.3	120.8	117.6	113.7	110.3	106.1	102.2
45.0	128.0	124.8	121.7	118.8	115.4	112.0	108.3	105.0	101.1	97.8
90.0	128.0	124.8	121.7	118.8	115.4	112.0	108.3	105.0	101.1	97.8
135.0	139.5	136.3	133.3	130.1	127.3	124.3	120.9	117.6	114.0	111.0
180.0	139.5	136.3	133.3	130.1	127.3	124.3	120.9	117.6	114.0	111.0
225.0	132.0	129.2	125.8	122.9	120.2	116.9	113.6	110.2	106.9	103.3
270.0	132.0	129.2	125.8	122.9	120.2	116.9	113.6	110.2	106.9	103.3
315.0	134.7	131.1	127.9	124.3	120.8	117.6	113.7	110.3	106.1	102.2
360.0	134.7	131.1	127.9	124.3	120.8	117.6	113.7	110.3	106.1	102.2

C\G	70.0	71.0	72.0	73.0	74.0	75.0	76.0	77.0	78.0	79.0
0.0	98.7	94.6	90.6	86.1	81.6	77.8	73.0	68.4	63.1	58.0
45.0	94.4	90.4	86.2	82.1	78.0	73.7	69.2	63.9	58.6	53.1
90.0	94.4	90.4	86.2	82.1	78.0	73.7	69.2	63.9	58.6	53.1
135.0	107.6	103.7	100.2	96.3	92.6	89.0	84.8	80.6	76.0	71.6
180.0	107.6	103.7	100.2	96.3	92.6	89.0	84.8	80.6	76.0	71.6
225.0	100.4	96.6	92.9	89.0	85.0	81.3	77.0	72.3	67.2	62.5
270.0	100.4	96.6	92.9	89.0	85.0	81.3	77.0	72.3	67.2	62.5
315.0	98.7	94.6	90.6	86.1	81.6	77.8	73.0	68.4	63.1	58.0
360.0	98.7	94.6	90.6	86.1	81.6	77.8	73.0	68.4	63.1	58.0

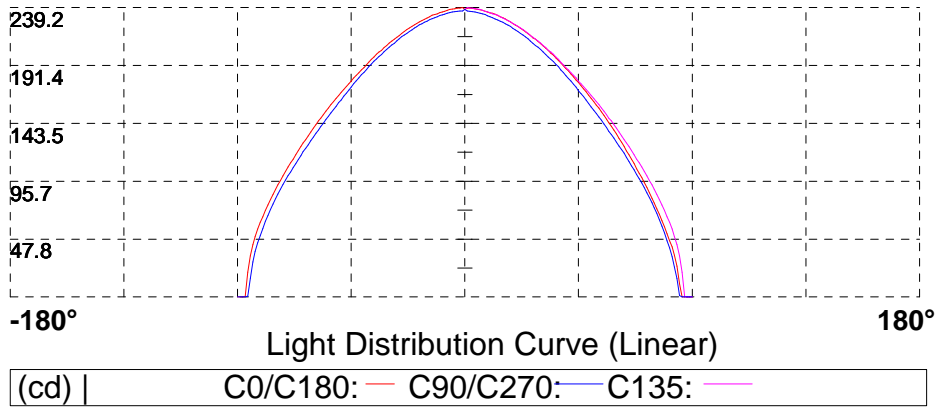
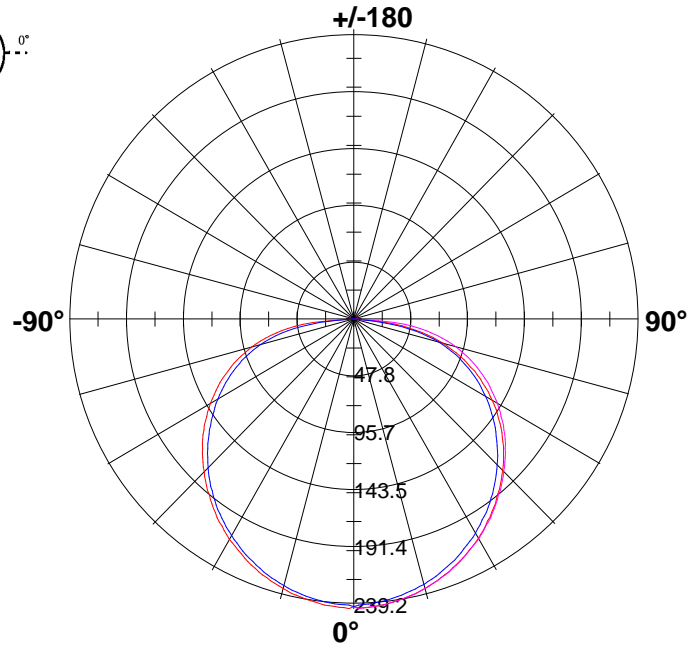
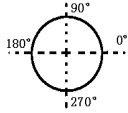
Photometric Data Table [cd]

C\G	80.0	81.0	82.0	83.0	84.0	85.0	86.0	87.0	88.0	89.0
0.0	52.3	46.6	41.4	34.4	25.5	11.1	0.0	0.0	0.0	0.0
45.0	46.6	40.6	33.2	24.8	15.4	1.3	0.0	0.0	0.0	0.0
90.0	46.6	40.6	33.2	24.8	15.4	1.3	0.0	0.0	0.0	0.0
135.0	66.3	61.9	56.2	49.8	43.2	33.9	20.7	0.4	0.0	0.0
180.0	66.3	61.9	56.2	49.8	43.2	33.9	20.7	0.4	0.0	0.0
225.0	56.6	50.8	44.8	37.6	28.9	15.2	0.6	0.0	0.0	0.0
270.0	56.6	50.8	44.8	37.6	28.9	15.2	0.6	0.0	0.0	0.0
315.0	52.3	46.6	41.4	34.4	25.5	11.1	0.0	0.0	0.0	0.0
360.0	52.3	46.6	41.4	34.4	25.5	11.1	0.0	0.0	0.0	0.0

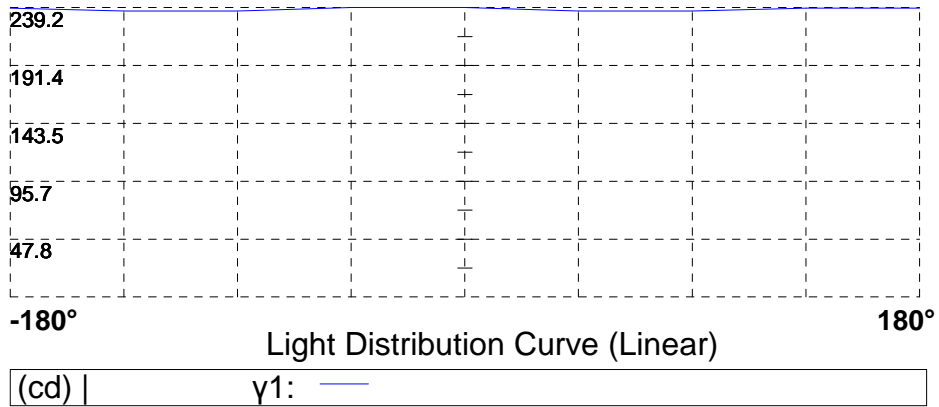
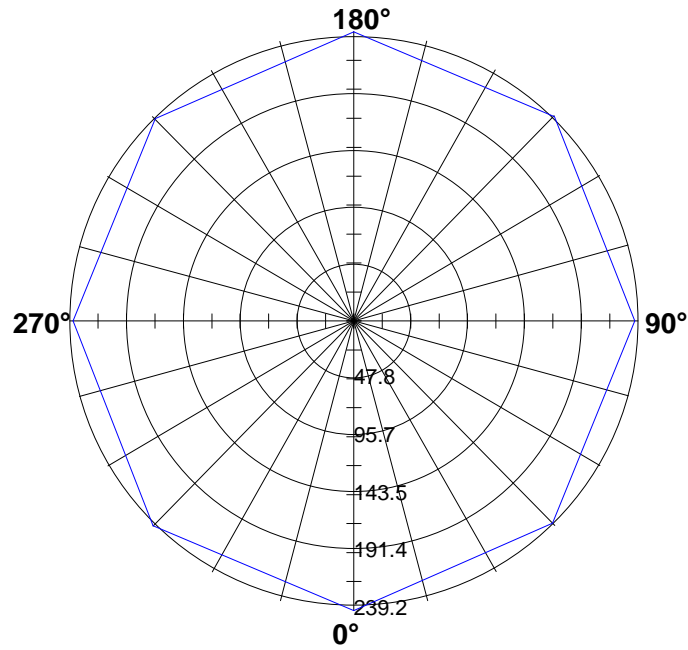
C\G	90.0
0.0	0.0
45.0	0.0
90.0	0.0
135.0	0.0
180.0	0.0
225.0	0.0
270.0	0.0
315.0	0.0
360.0	0.0

Light Distribution Curve [Unit: cd]

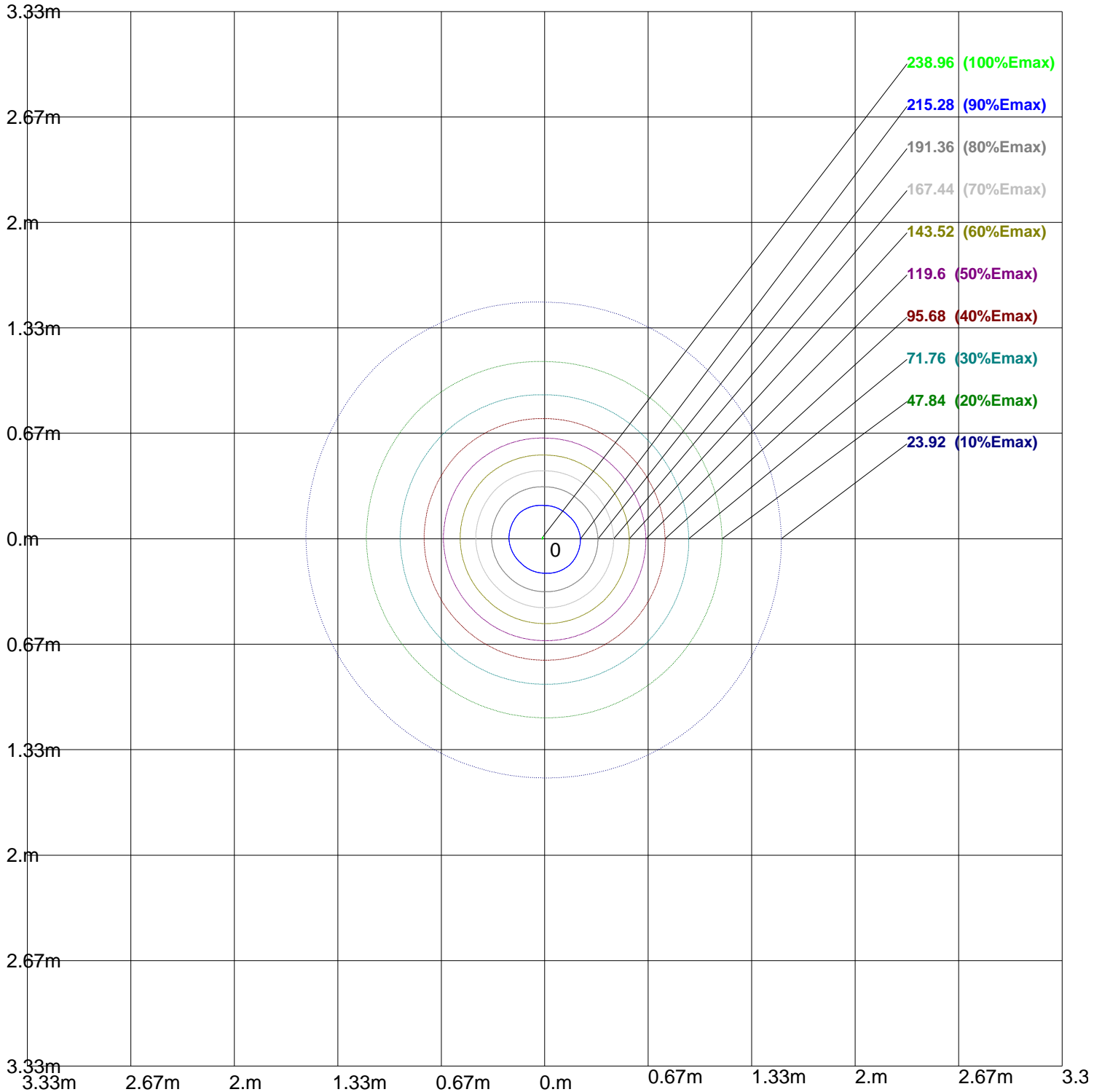
Luminaire



Max Plane Light Distribution Curve [Unit: cd]



Iso-Lux[lx]



Height: 1 m
Max Illuminance : 239.2lx

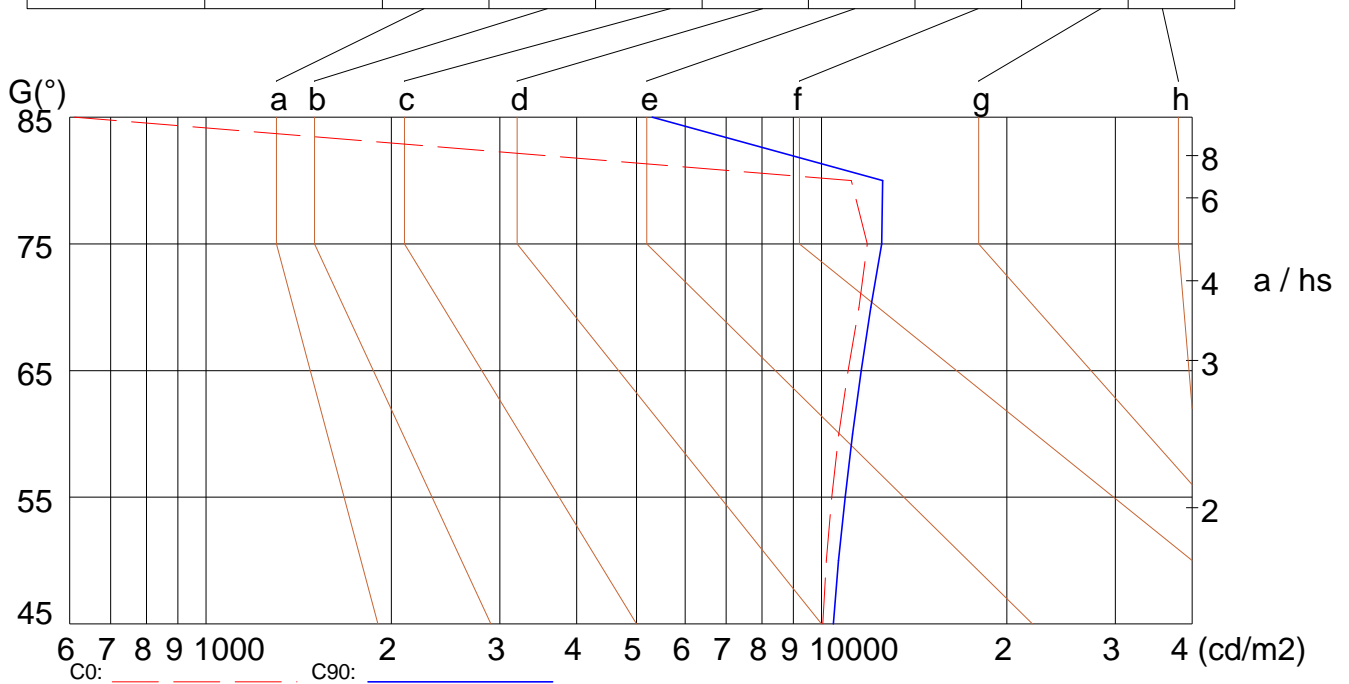
Luminance Limiting Curve

Diameter: mm
Length: 155mm
Width: 155mm
Height: 50mm

(cd/m²)

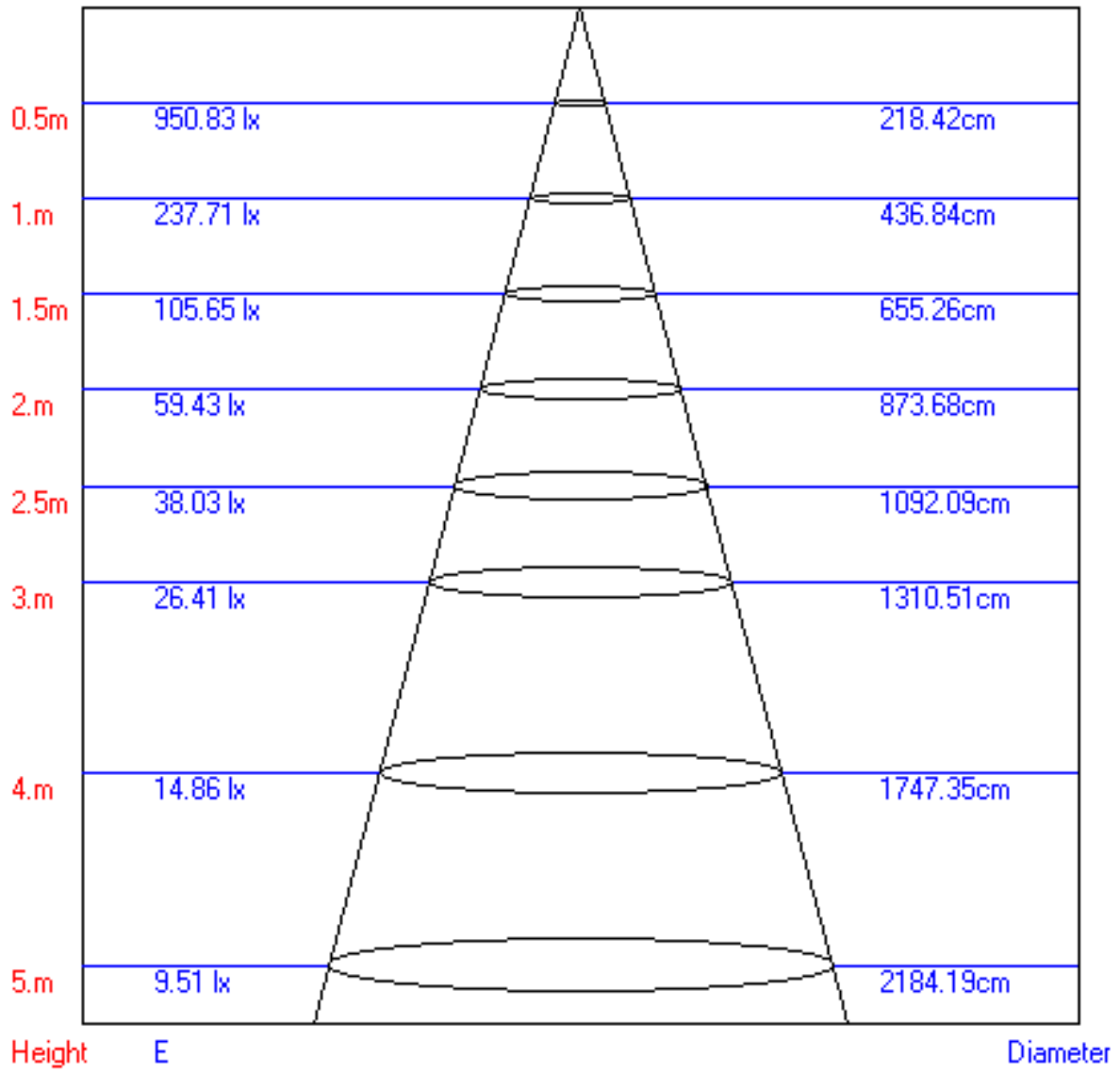
γ	45°	50°	55°	60°	65°	70°	75°	80°	85°
C0	10049	10180	10384	10668	11038	11497	11868	11175	611
C90	10441	10647	10915	11226	11593	12026	12518	12561	5304

Glare	Quality	Service Values Illuminance (lx)							
1.15	A	2000	1000	500	≤300				
1.5	B		2000	1000	500	≤300			
1.85	C			2000	1000	500	≤300		
2.2	D				2000	1000	500	≤300	
2.55	E					2000	1000	500	≤300



Lum. Limiting Curve (C0/C90)

Lux-Distance Curve



Beam Angle:130.80°

Utilization Coefficient Table

RHOCC	80			70			50			30			10			0
RHOW	50	30	10	50	30	10	50	30	10	50	30	10	50	30	10	0
RCR	COEFFICIENTS OF UTILIZATION FOR RHOFC=20															
0	1.19	1.19	1.19	1.16	1.16	1.16	1.11	1.11	1.11	1.06	1.06	1.06	1.02	1.02	1.02	1.00
1	1.02	1.00	0.98	1.00	0.98	0.96	0.97	0.95	0.92	0.92	0.90	0.87	0.86	0.84	0.81	0.76
2	0.84	0.81	0.79	0.84	0.80	0.78	0.82	0.78	0.75	0.79	0.75	0.71	0.75	0.70	0.66	0.62
3	0.71	0.68	0.65	0.71	0.67	0.64	0.70	0.65	0.62	0.68	0.63	0.59	0.66	0.60	0.55	0.51
4	0.60	0.57	0.55	0.61	0.57	0.54	0.61	0.56	0.52	0.60	0.54	0.49	0.58	0.52	0.47	0.43
5	0.52	0.49	0.47	0.53	0.49	0.46	0.54	0.48	0.44	0.53	0.47	0.42	0.53	0.46	0.40	0.36
6	0.46	0.43	0.41	0.47	0.43	0.40	0.48	0.42	0.38	0.48	0.42	0.37	0.48	0.41	0.35	0.32
7	0.40	0.37	0.36	0.41	0.38	0.35	0.43	0.37	0.34	0.43	0.37	0.32	0.44	0.36	0.31	0.28
8	0.36	0.33	0.32	0.37	0.33	0.31	0.39	0.34	0.30	0.40	0.33	0.29	0.40	0.33	0.28	0.24
9	0.32	0.30	0.28	0.34	0.30	0.28	0.35	0.30	0.27	0.36	0.30	0.26	0.37	0.30	0.25	0.22
10	0.29	0.27	0.26	0.31	0.27	0.25	0.32	0.27	0.24	0.34	0.28	0.23	0.34	0.27	0.22	0.20

