

Luminaire Property

Luminaire: RH-SPL04 4W 4000K

Report NO.:

Test NO.:

Lamp:

Sum Lumens: 211.03 lm

Number of Lamps: 1

Diameter: mm

Length: 105mm

Photometric Type: Type C

Voltage: 230.9 V

Current: 0.038 A

Power: 4.3 W

Power Factor: 0.492

Ballast Type: 300mA

Width: 105mm

Height: 20mm

Remark: SMD2835 4C5B

Photometric Results

Lumens: 211.03 lm

Efficiency: 49.0767 lm/W

Central Intensity: 101.524cd

Maximum Intensity: 102.194cd

Angle of maximum intensity: C:135.0 G:2.0

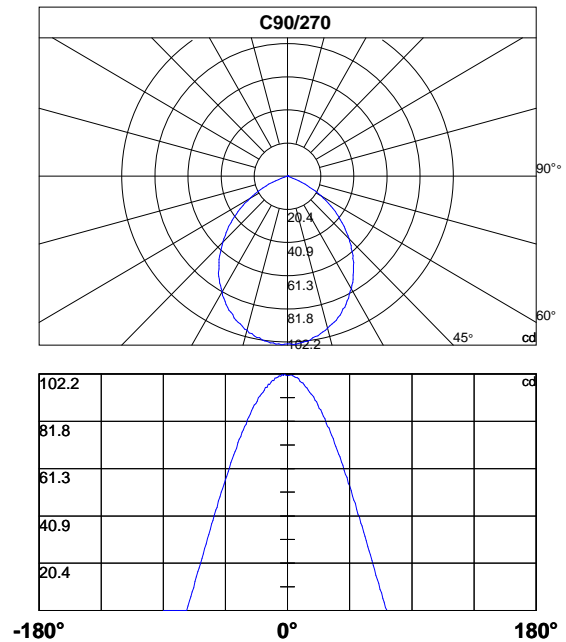
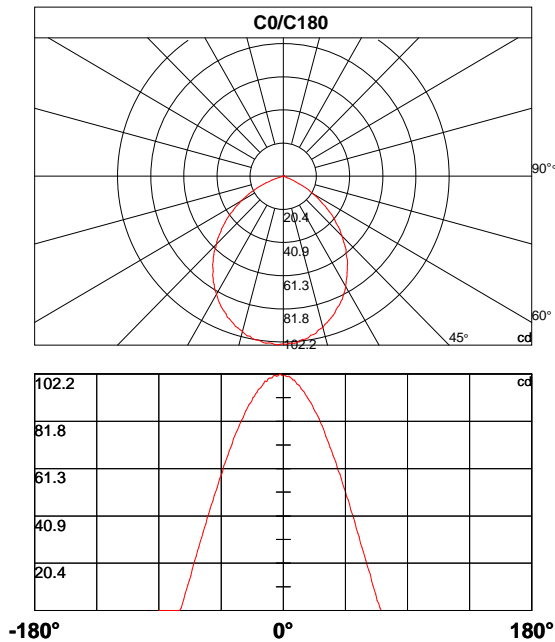
Half Peak Side Angle(50%): Left: -47.2 Right:47.0

Light Out Rate(LOR) : 100.00%

Up Flux Rate: 0.0%

Down Flux Rate: 100.0%

Beam Angle(10%): Left: -67.2 Right:67.5



Photometric Data Table [cd]

C\G	0.0	1.0	2.0	3.0	4.0	5.0	6.0	7.0	8.0	9.0
0.0	101.5	101.8	101.2	101.1	101.2	100.9	100.3	99.6	99.5	99.0
45.0	101.5	101.5	101.8	101.8	101.4	101.0	100.8	100.7	100.1	99.1
90.0	101.5	101.5	101.8	101.8	101.4	101.0	100.8	100.7	100.1	99.1
135.0	101.5	101.6	102.2	101.9	101.4	101.3	101.7	101.4	100.7	100.4
180.0	101.5	101.6	102.2	101.9	101.4	101.3	101.7	101.4	100.7	100.4
225.0	101.5	101.6	102.1	101.6	101.9	101.2	101.4	100.9	100.7	100.4
270.0	101.5	101.6	102.1	101.6	101.9	101.2	101.4	100.9	100.7	100.4
315.0	101.5	101.8	101.2	101.1	101.2	100.9	100.3	99.6	99.5	99.0
360.0	101.5	101.8	101.2	101.1	101.2	100.9	100.3	99.6	99.5	99.0

C\G	10.0	11.0	12.0	13.0	14.0	15.0	16.0	17.0	18.0	19.0
0.0	97.8	97.6	97.1	95.7	95.2	94.6	93.3	92.5	91.6	90.7
45.0	98.6	98.4	97.4	96.7	96.2	95.1	94.3	93.5	92.9	92.3
90.0	98.6	98.4	97.4	96.7	96.2	95.1	94.3	93.5	92.9	92.3
135.0	100.4	100.0	98.9	99.1	98.2	97.3	96.6	95.9	95.5	94.3
180.0	100.4	100.0	98.9	99.1	98.2	97.3	96.6	95.9	95.5	94.3
225.0	99.3	99.5	98.8	97.7	97.7	96.4	96.4	95.0	94.2	93.6
270.0	99.3	99.5	98.8	97.7	97.7	96.4	96.4	95.0	94.2	93.6
315.0	97.8	97.6	97.1	95.7	95.2	94.6	93.3	92.5	91.6	90.7
360.0	97.8	97.6	97.1	95.7	95.2	94.6	93.3	92.5	91.6	90.7

C\G	20.0	21.0	22.0	23.0	24.0	25.0	26.0	27.0	28.0	29.0
0.0	89.8	88.5	87.1	86.1	85.3	83.9	82.8	81.3	80.0	78.6
45.0	90.9	90.1	88.9	87.3	86.8	85.4	83.9	82.8	81.0	79.5
90.0	90.9	90.1	88.9	87.3	86.8	85.4	83.9	82.8	81.0	79.5
135.0	93.5	92.4	92.0	90.4	89.5	88.7	87.5	86.3	85.1	83.5
180.0	93.5	92.4	92.0	90.4	89.5	88.7	87.5	86.3	85.1	83.5
225.0	92.7	91.9	90.3	89.4	88.7	87.5	86.4	85.0	83.6	82.6
270.0	92.7	91.9	90.3	89.4	88.7	87.5	86.4	85.0	83.6	82.6
315.0	89.8	88.5	87.1	86.1	85.3	83.9	82.8	81.3	80.0	78.6
360.0	89.8	88.5	87.1	86.1	85.3	83.9	82.8	81.3	80.0	78.6

C\G	30.0	31.0	32.0	33.0	34.0	35.0	36.0	37.0	38.0	39.0
0.0	77.1	75.1	73.6	72.2	70.4	69.0	67.1	65.9	64.2	62.0
45.0	78.8	77.0	75.7	74.3	72.1	70.8	69.1	67.5	66.4	64.1
90.0	78.8	77.0	75.7	74.3	72.1	70.8	69.1	67.5	66.4	64.1
135.0	82.3	81.3	79.9	78.1	77.0	75.4	74.2	71.9	70.5	69.1
180.0	82.3	81.3	79.9	78.1	77.0	75.4	74.2	71.9	70.5	69.1
225.0	80.5	79.5	78.0	77.0	75.2	73.9	72.4	70.1	68.7	67.2
270.0	80.5	79.5	78.0	77.0	75.2	73.9	72.4	70.1	68.7	67.2
315.0	77.1	75.1	73.6	72.2	70.4	69.0	67.1	65.9	64.2	62.0
360.0	77.1	75.1	73.6	72.2	70.4	69.0	67.1	65.9	64.2	62.0

Photometric Data Table [cd]

C\G	40.0	41.0	42.0	43.0	44.0	45.0	46.0	47.0	48.0	49.0
0.0	60.2	58.9	57.1	54.9	52.8	51.5	49.1	47.7	45.8	43.3
45.0	62.8	60.6	58.8	57.6	55.0	53.9	51.8	49.5	47.6	46.3
90.0	62.8	60.6	58.8	57.6	55.0	53.9	51.8	49.5	47.6	46.3
135.0	67.1	65.6	63.7	62.5	59.9	58.4	57.1	54.9	53.0	51.0
180.0	67.1	65.6	63.7	62.5	59.9	58.4	57.1	54.9	53.0	51.0
225.0	65.6	63.9	61.8	60.0	58.0	56.4	54.5	52.6	51.1	49.1
270.0	65.6	63.9	61.8	60.0	58.0	56.4	54.5	52.6	51.1	49.1
315.0	60.2	58.9	57.1	54.9	52.8	51.5	49.1	47.7	45.8	43.3
360.0	60.2	58.9	57.1	54.9	52.8	51.5	49.1	47.7	45.8	43.3

C\G	50.0	51.0	52.0	53.0	54.0	55.0	56.0	57.0	58.0	59.0
0.0	41.4	39.9	37.9	35.4	33.3	31.7	29.0	27.1	25.4	23.6
45.0	43.8	41.7	40.2	37.7	36.5	33.8	32.1	30.1	27.6	25.8
90.0	43.8	41.7	40.2	37.7	36.5	33.8	32.1	30.1	27.6	25.8
135.0	49.6	47.3	45.6	43.8	41.8	39.9	37.3	36.0	33.6	31.5
180.0	49.6	47.3	45.6	43.8	41.8	39.9	37.3	36.0	33.6	31.5
225.0	47.3	44.6	43.5	41.0	38.9	37.5	35.2	32.8	31.1	28.7
270.0	47.3	44.6	43.5	41.0	38.9	37.5	35.2	32.8	31.1	28.7
315.0	41.4	39.9	37.9	35.4	33.3	31.7	29.0	27.1	25.4	23.6
360.0	41.4	39.9	37.9	35.4	33.3	31.7	29.0	27.1	25.4	23.6

C\G	60.0	61.0	62.0	63.0	64.0	65.0	66.0	67.0	68.0	69.0
0.0	21.5	18.9	17.4	15.4	12.8	10.8	8.5	7.0	4.3	3.1
45.0	24.0	21.6	19.5	17.7	15.1	13.3	11.8	9.1	7.5	5.2
90.0	24.0	21.6	19.5	17.7	15.1	13.3	11.8	9.1	7.5	5.2
135.0	30.0	27.4	25.8	23.6	21.6	19.6	17.5	14.9	12.8	11.2
180.0	30.0	27.4	25.8	23.6	21.6	19.6	17.5	14.9	12.8	11.2
225.0	26.8	24.5	22.6	20.1	18.4	16.9	14.6	12.6	9.8	8.1
270.0	26.8	24.5	22.6	20.1	18.4	16.9	14.6	12.6	9.8	8.1
315.0	21.5	18.9	17.4	15.4	12.8	10.8	8.5	7.0	4.3	3.1
360.0	21.5	18.9	17.4	15.4	12.8	10.8	8.5	7.0	4.3	3.1

C\G	70.0	71.0	72.0	73.0	74.0	75.0	76.0	77.0	78.0	79.0
0.0	1.1	0.0	0.0	0.0	0.0	0.0	0.0	0.0	0.0	0.0
45.0	3.6	1.2	0.0	0.0	0.0	0.0	0.0	0.0	0.0	0.0
90.0	3.6	1.2	0.0	0.0	0.0	0.0	0.0	0.0	0.0	0.0
135.0	9.3	7.3	4.9	3.0	1.1	0.0	0.0	0.0	0.0	0.0
180.0	9.3	7.3	4.9	3.0	1.1	0.0	0.0	0.0	0.0	0.0
225.0	6.0	4.3	1.9	0.0	0.0	0.0	0.0	0.0	0.0	0.0
270.0	6.0	4.3	1.9	0.0	0.0	0.0	0.0	0.0	0.0	0.0
315.0	1.1	0.0	0.0	0.0	0.0	0.0	0.0	0.0	0.0	0.0
360.0	1.1	0.0	0.0	0.0	0.0	0.0	0.0	0.0	0.0	0.0

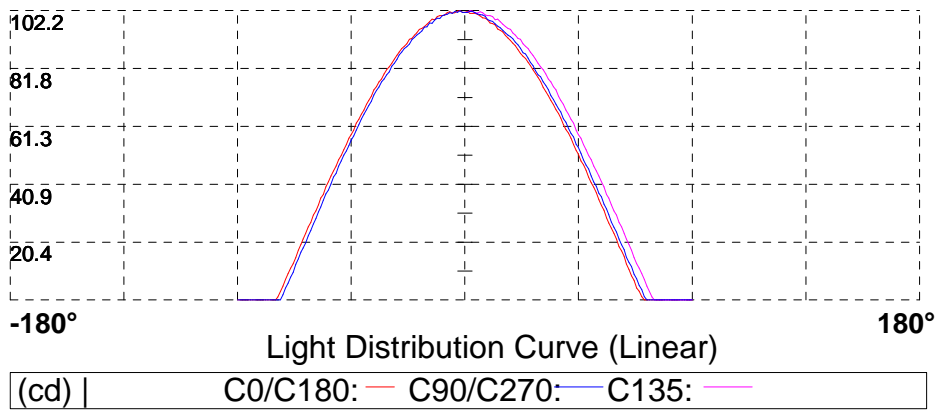
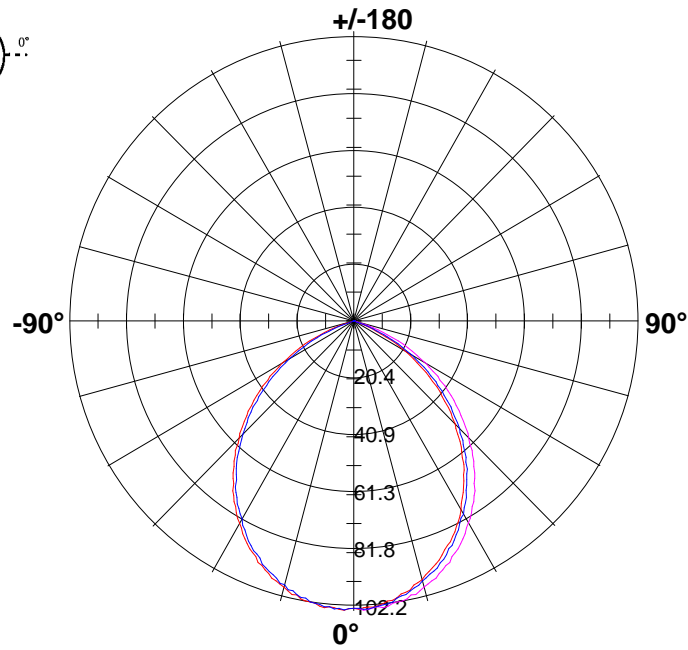
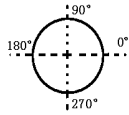
Photometric Data Table [cd]

C\G	80.0	81.0	82.0	83.0	84.0	85.0	86.0	87.0	88.0	89.0
0.0	0.0	0.0	0.0	0.0	0.0	0.0	0.0	0.0	0.0	0.0
45.0	0.0	0.0	0.0	0.0	0.0	0.0	0.0	0.0	0.0	0.0
90.0	0.0	0.0	0.0	0.0	0.0	0.0	0.0	0.0	0.0	0.0
135.0	0.0	0.0	0.0	0.0	0.0	0.0	0.0	0.0	0.0	0.0
180.0	0.0	0.0	0.0	0.0	0.0	0.0	0.0	0.0	0.0	0.0
225.0	0.0	0.0	0.0	0.0	0.0	0.0	0.0	0.0	0.0	0.0
270.0	0.0	0.0	0.0	0.0	0.0	0.0	0.0	0.0	0.0	0.0
315.0	0.0	0.0	0.0	0.0	0.0	0.0	0.0	0.0	0.0	0.0
360.0	0.0	0.0	0.0	0.0	0.0	0.0	0.0	0.0	0.0	0.0

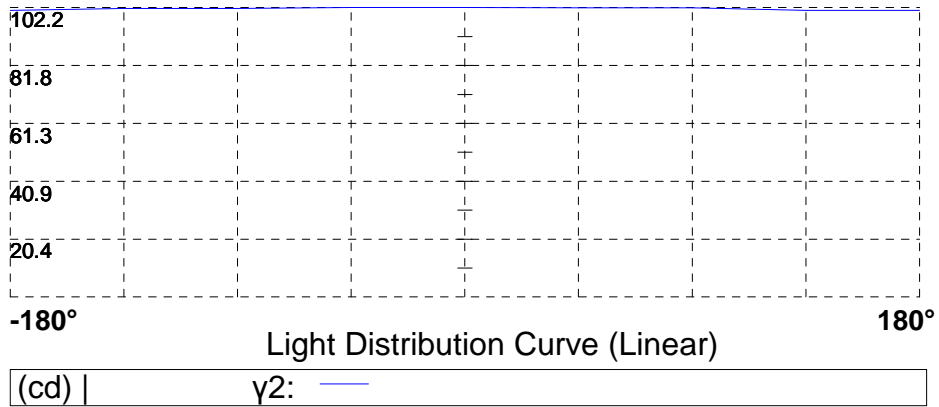
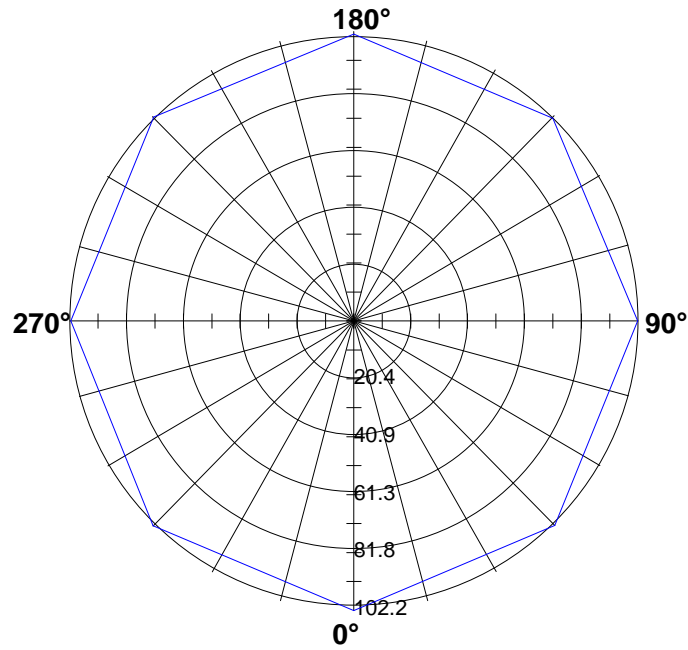
C\G	90.0
0.0	0.0
45.0	0.0
90.0	0.0
135.0	0.0
180.0	0.0
225.0	0.0
270.0	0.0
315.0	0.0
360.0	0.0

Light Distribution Curve [Unit: cd]

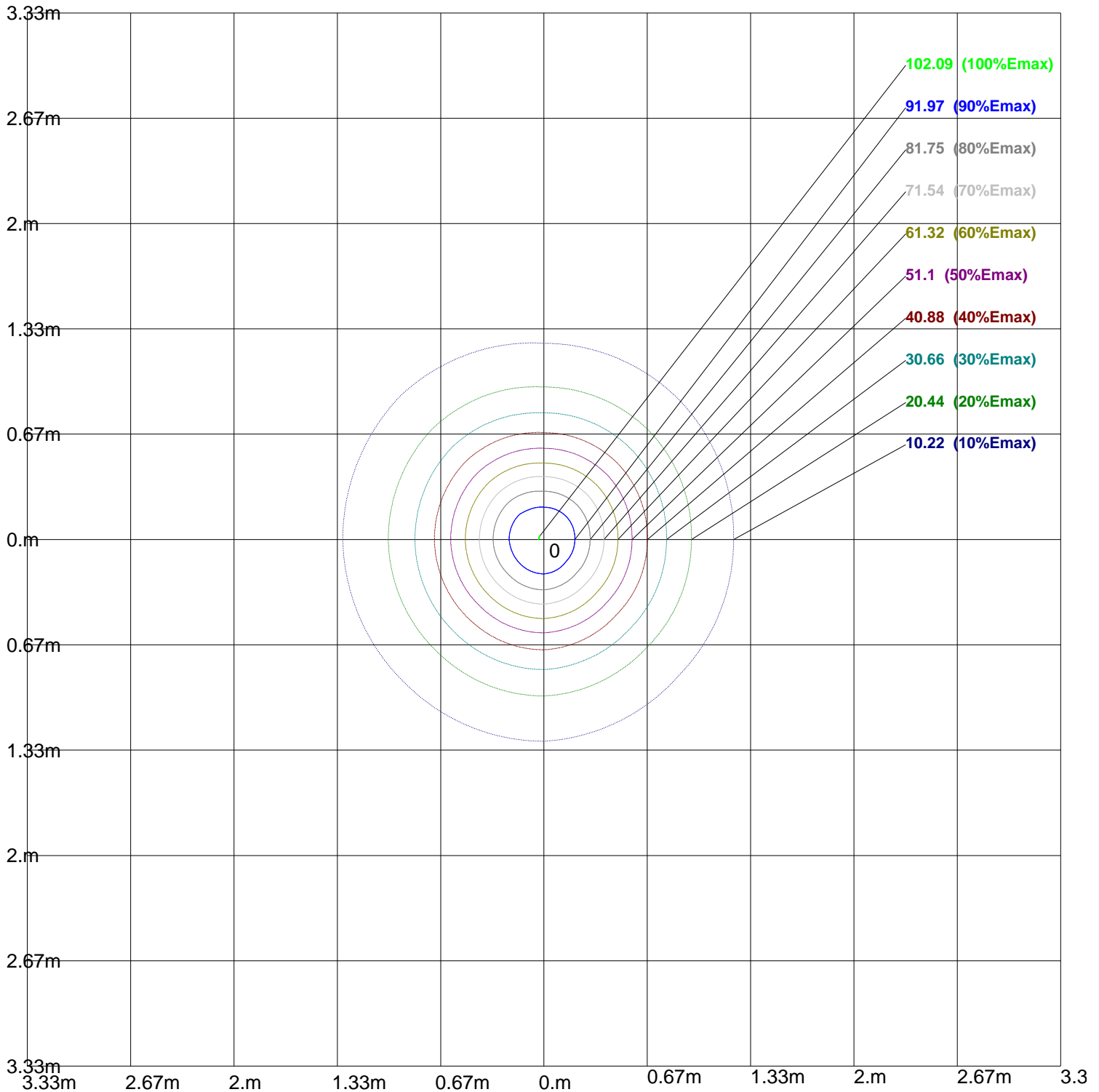
Luminaire



Max Plane Light Distribution Curve [Unit: cd]



Iso-Lux[lx]



Height: 1 m
Max Illuminance : 102.19lx

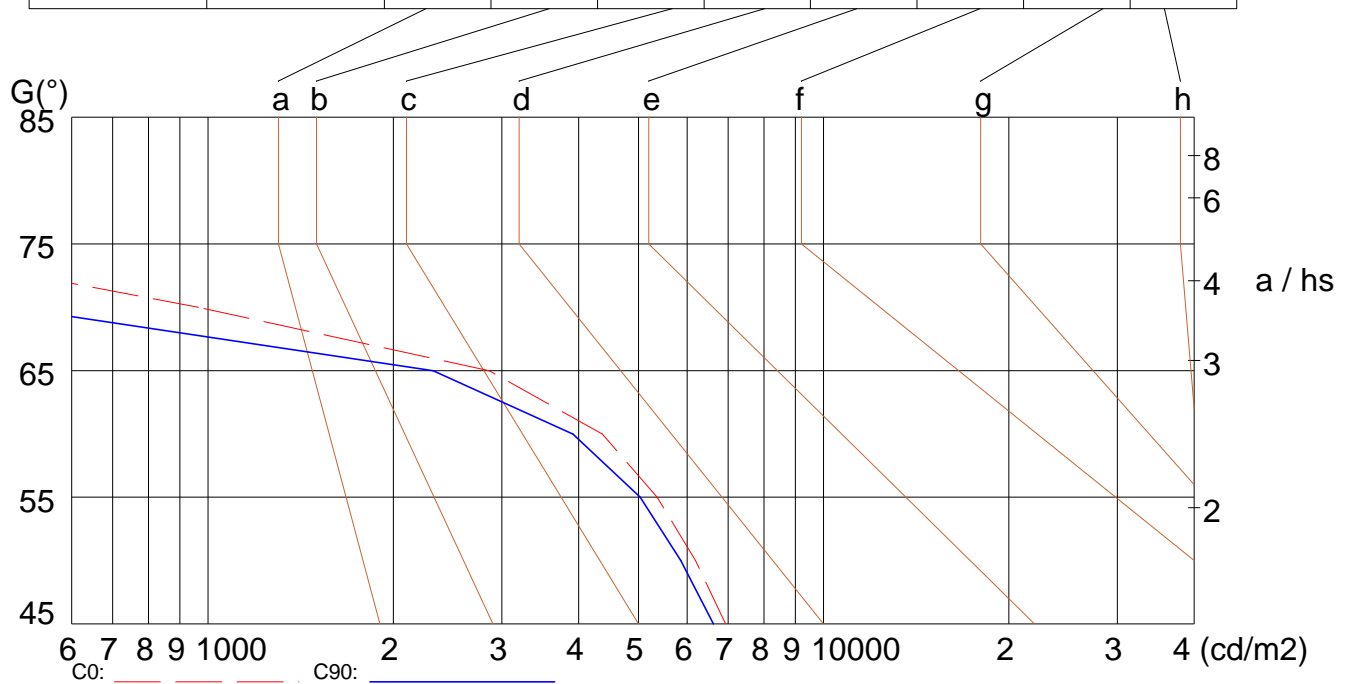
Luminance Limiting Curve

Diameter: mm
Length: 105mm
Width: 105mm
Height: 20mm

(cd/m²)

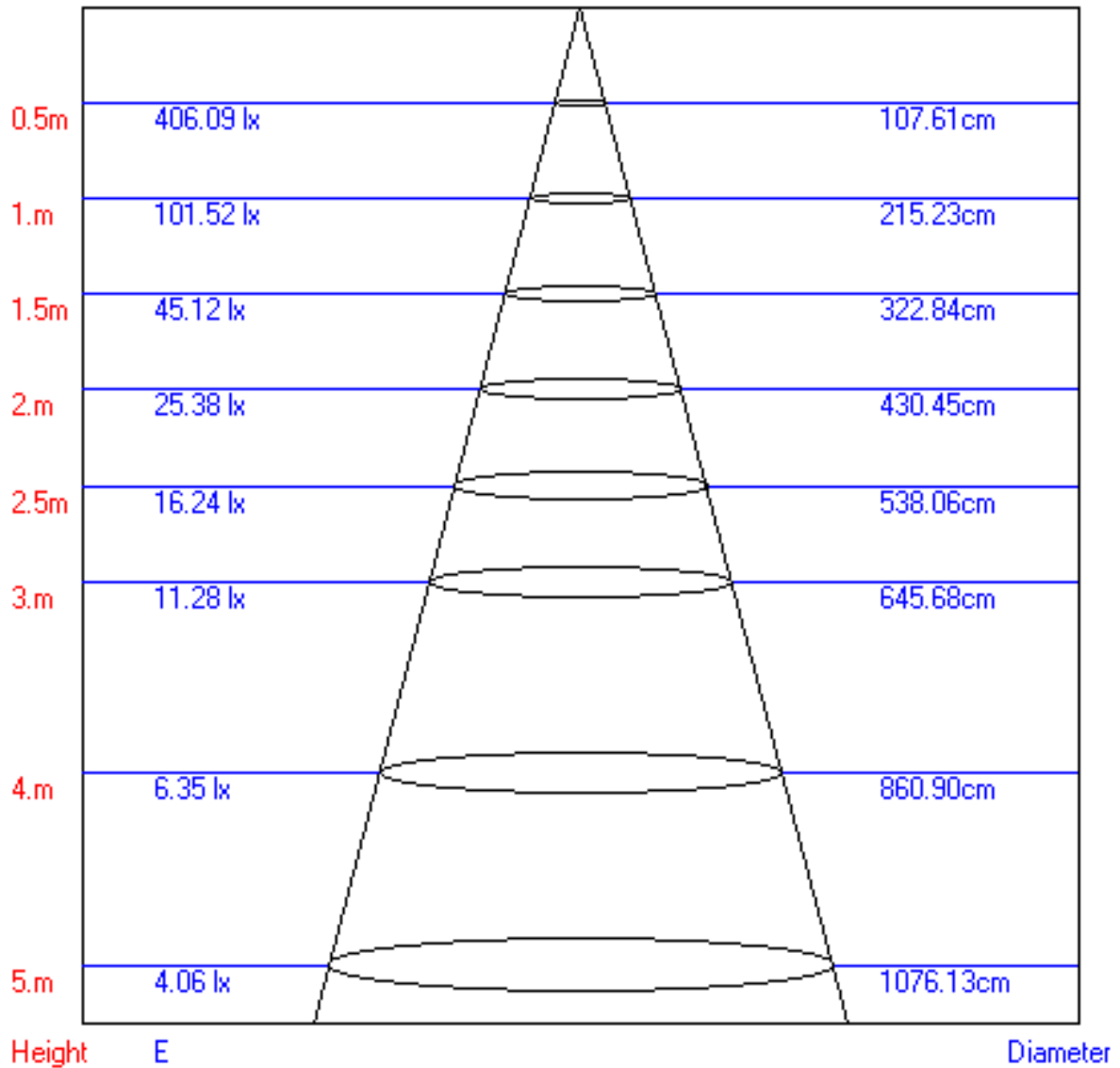
γ	45°	50°	55°	60°	65°	70°	75°	80°	85°
C0	6927	6189	5364	4369	2859	965			
C90	6619	5856	5032	3913	2320	299			

Glare	Quality	Service Values Illuminance (lx)							
1.15	A	2000	1000	500	≤300				
1.5	B		2000	1000	500	≤300			
1.85	C			2000	1000	500	≤300		
2.2	D				2000	1000	500	≤300	
2.55	E					2000	1000	500	≤300



Lum. Limiting Curve (C0/C90)

Lux-Distance Curve



Beam Angle:94.20°

Utilization Coefficient Table

RHOCC	80			70			50			30			10			0
RHOW	50	30	10	50	30	10	50	30	10	50	30	10	50	30	10	0
RCR	COEFFICIENTS OF UTILIZATION FOR RHOFC=20															
0	1.19	1.19	1.19	1.16	1.16	1.16	1.11	1.11	1.11	1.06	1.06	1.06	1.02	1.02	1.02	1.00
1	1.10	1.08	1.07	1.08	1.06	1.05	1.04	1.02	1.01	0.99	0.97	0.95	0.92	0.90	0.89	0.83
2	0.97	0.95	0.93	0.96	0.93	0.91	0.93	0.90	0.88	0.89	0.86	0.83	0.84	0.80	0.77	0.73
3	0.85	0.83	0.81	0.85	0.82	0.80	0.83	0.79	0.76	0.80	0.76	0.72	0.76	0.72	0.68	0.63
4	0.75	0.73	0.71	0.75	0.72	0.70	0.74	0.70	0.67	0.72	0.67	0.63	0.69	0.64	0.60	0.55
5	0.67	0.64	0.63	0.67	0.64	0.61	0.66	0.62	0.59	0.65	0.60	0.56	0.63	0.57	0.53	0.49
6	0.60	0.57	0.56	0.60	0.57	0.55	0.60	0.55	0.52	0.59	0.54	0.50	0.58	0.52	0.47	0.43
7	0.54	0.51	0.50	0.54	0.51	0.49	0.54	0.50	0.47	0.54	0.49	0.45	0.53	0.47	0.42	0.39
8	0.49	0.46	0.45	0.49	0.46	0.44	0.50	0.45	0.42	0.50	0.44	0.40	0.49	0.43	0.38	0.35
9	0.44	0.42	0.41	0.45	0.42	0.40	0.46	0.41	0.38	0.46	0.40	0.36	0.46	0.39	0.35	0.32
10	0.40	0.38	0.37	0.41	0.38	0.36	0.42	0.38	0.35	0.42	0.37	0.33	0.42	0.36	0.32	0.29

